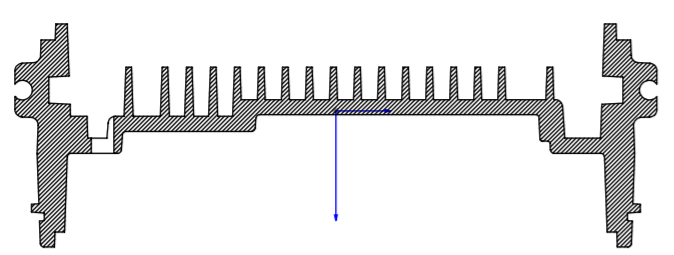
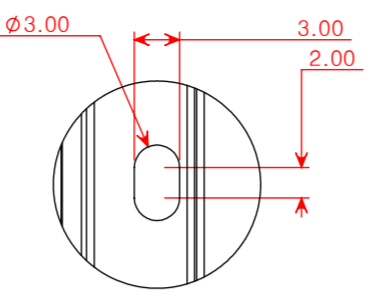


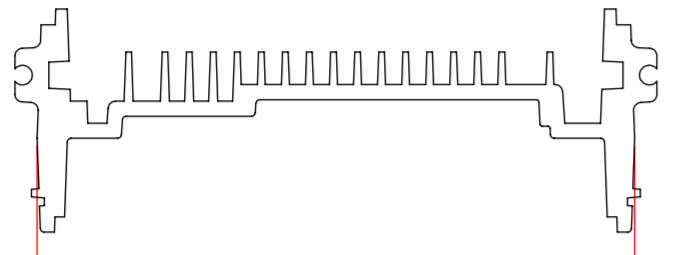
SYM	DESCRIPTION OF REVISION	DATE	REVISED	APPROVED



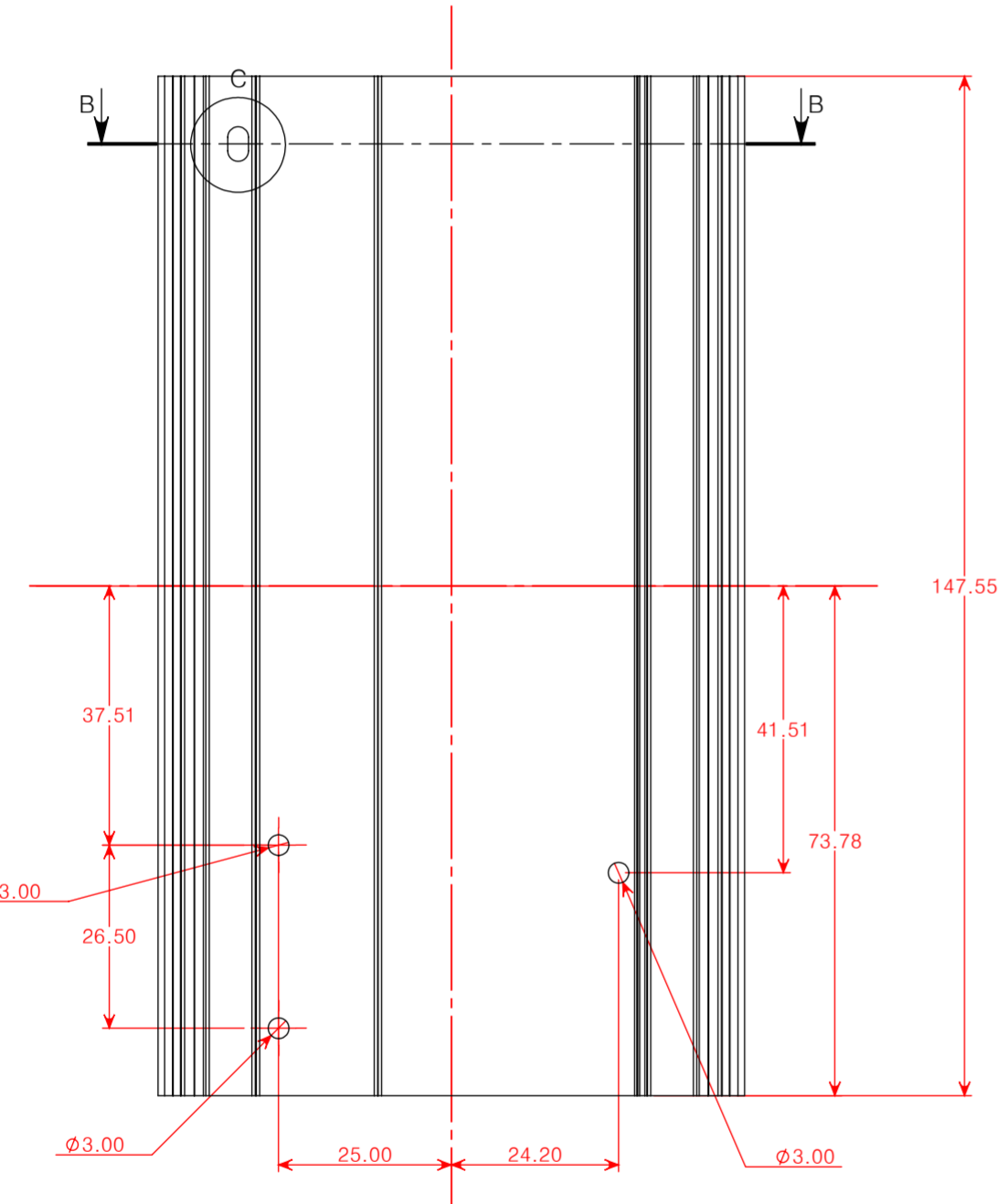
단면 B-B



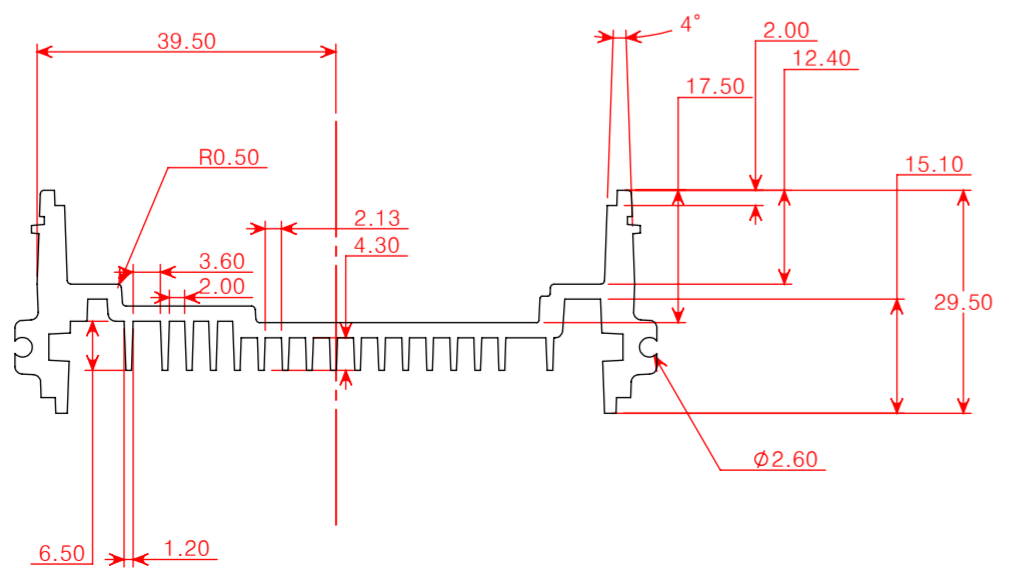
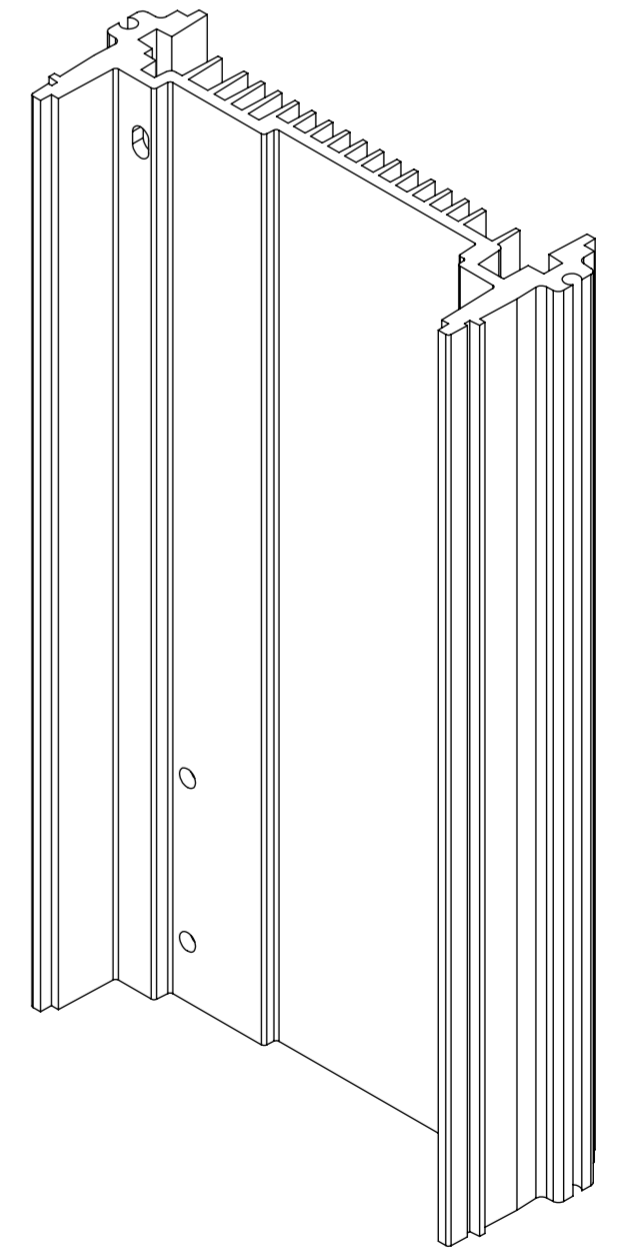
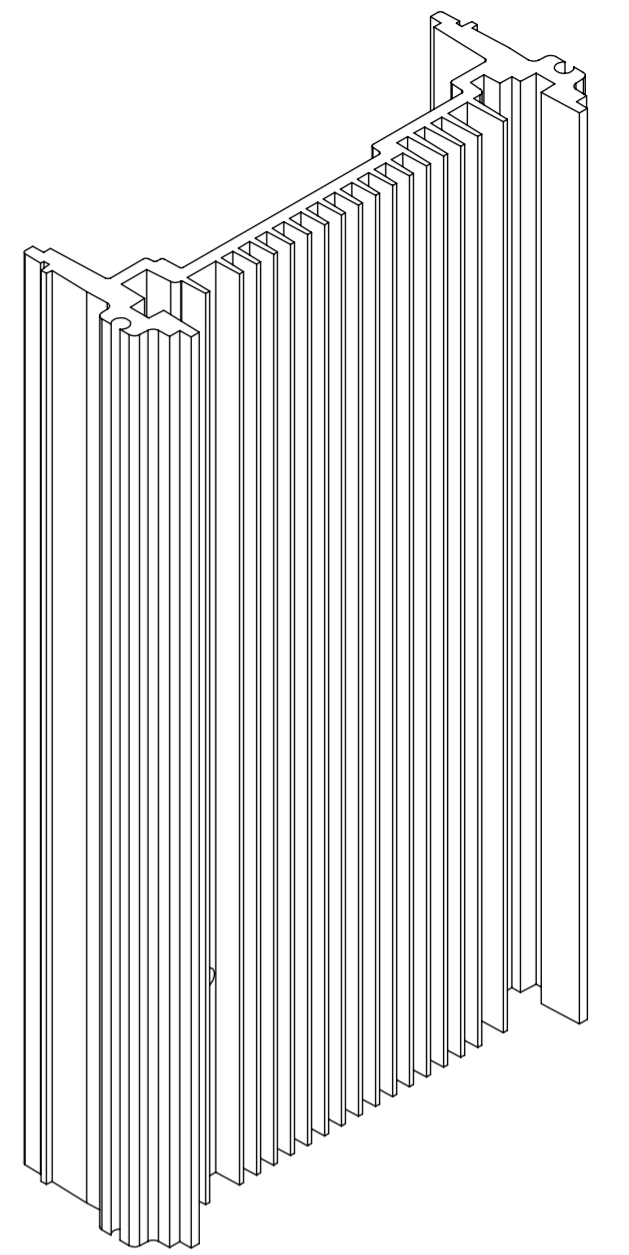
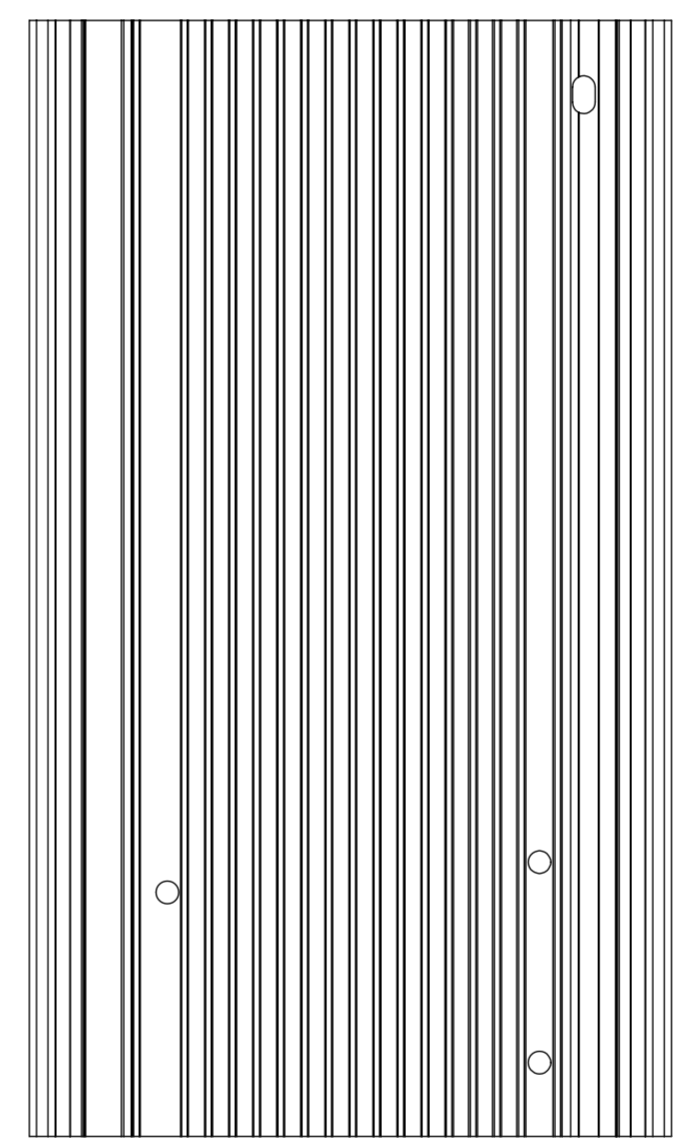
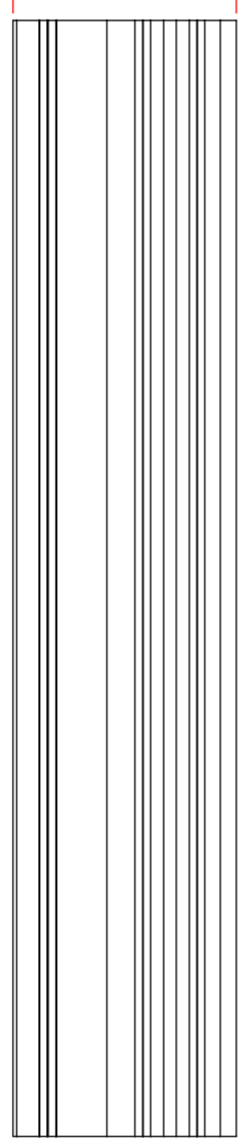
상세 C  
축척 2:1



79.00



29.50



NO.	PART NO.	Description & Specification	QTY	MATERIAL	FINISHED	REMARK																																					
<table border="1"> <thead> <tr> <th colspan="3">TOLERANCES</th> <th rowspan="2">1 / 1</th> <th rowspan="2">mm</th> <th rowspan="2">APPROVED</th> <th rowspan="2">PART NAME</th> </tr> <tr> <th>0-4</th> <th>4-16</th> <th>16-64</th> </tr> </thead> <tbody> <tr> <td>±0.05</td> <td>±0.1</td> <td>±0.2</td> <td rowspan="2">SCALE</td> <td rowspan="2">UNIT</td> <td rowspan="2">CHECKED</td> <td rowspan="2">DWG No.</td> </tr> <tr> <td>±0.08</td> <td>±0.15</td> <td>±0.3</td> </tr> <tr> <td>±0.12</td> <td>±0.25</td> <td>±0.4</td> <td rowspan="2">3RD ANG PROJ PROJECTION</td> <td rowspan="2">DESIGNED</td> <td rowspan="2">S.S.Kim</td> <td rowspan="2">PROJECT. HC1</td> </tr> <tr> <td>±0.25</td> <td>±0.4</td> <td>±0.6</td> </tr> <tr> <td>±0.35</td> <td>±0.6</td> <td>±0.8</td> <td>FORMAT</td> <td>A2</td> <td></td> <td></td> </tr> </tbody> </table>							TOLERANCES			1 / 1	mm	APPROVED	PART NAME	0-4	4-16	16-64	±0.05	±0.1	±0.2	SCALE	UNIT	CHECKED	DWG No.	±0.08	±0.15	±0.3	±0.12	±0.25	±0.4	3RD ANG PROJ PROJECTION	DESIGNED	S.S.Kim	PROJECT. HC1	±0.25	±0.4	±0.6	±0.35	±0.6	±0.8	FORMAT	A2		
TOLERANCES			1 / 1	mm	APPROVED	PART NAME																																					
0-4	4-16	16-64																																									
±0.05	±0.1	±0.2	SCALE	UNIT	CHECKED	DWG No.																																					
±0.08	±0.15	±0.3																																									
±0.12	±0.25	±0.4	3RD ANG PROJ PROJECTION	DESIGNED	S.S.Kim	PROJECT. HC1																																					
±0.25	±0.4	±0.6																																									
±0.35	±0.6	±0.8	FORMAT	A2																																							
1						1 / 1 SHEETS																																					