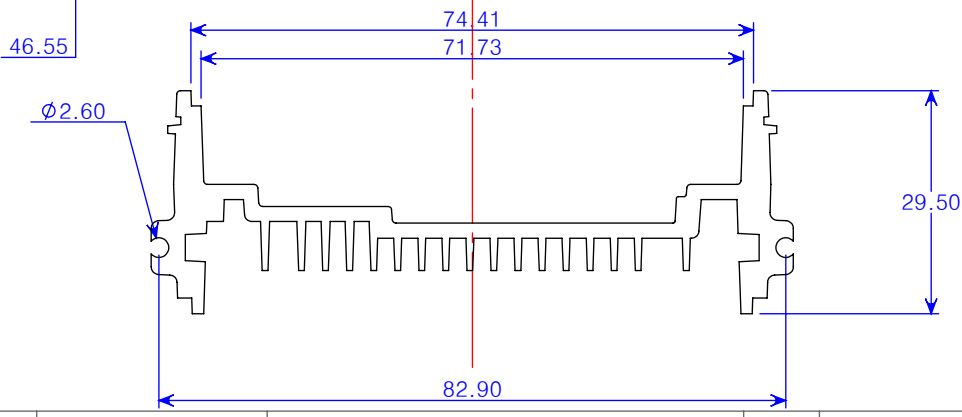
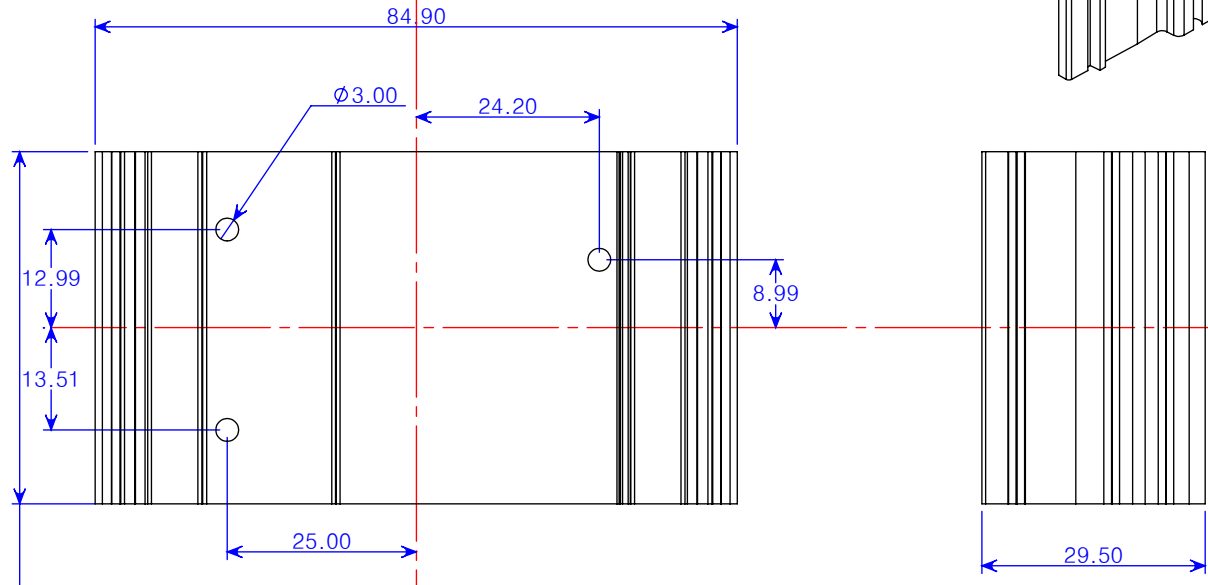
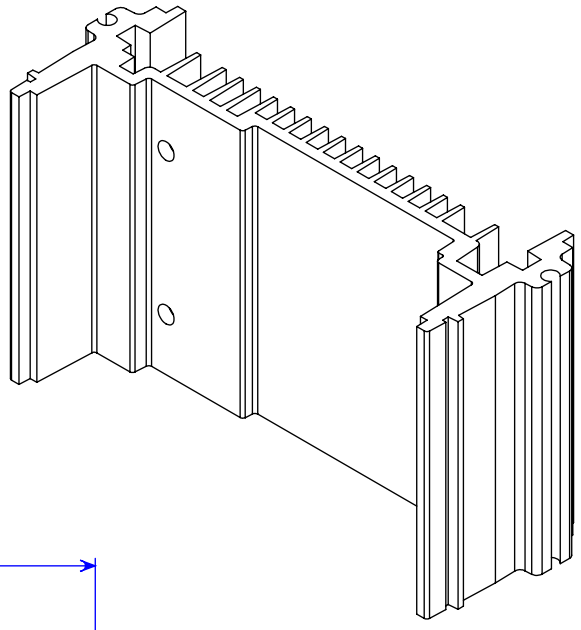


1	2	3	4	5	6	7	8	9
SYM	DESCRIPTION OF REVISION					DATE	REVISED	APPROVED



All rights reserved

NO.	PART NO.	Description & Specification	Q'TY	MATERIAL	FINISHED	REMARK
-----	----------	-----------------------------	------	----------	----------	--------

TOLERANCES			
	1	2	3
0~4	±0.05	±0.1	±0.2
4~16	±0.08	±0.15	±0.3
16~64	±0.12	±0.25	±0.4
64~250	±0.25	±0.4	±0.6
250~	±0.35	±0.6	±0.8

3 / 1	mm	APPROVED
SCALE	UNIT	CHECKED
	PROJECTION	DESIGNED

PART NAME.	
DWG No.	
PROJECT.	MC1
S.S.Kim	
1 / 1 SHEETS	