
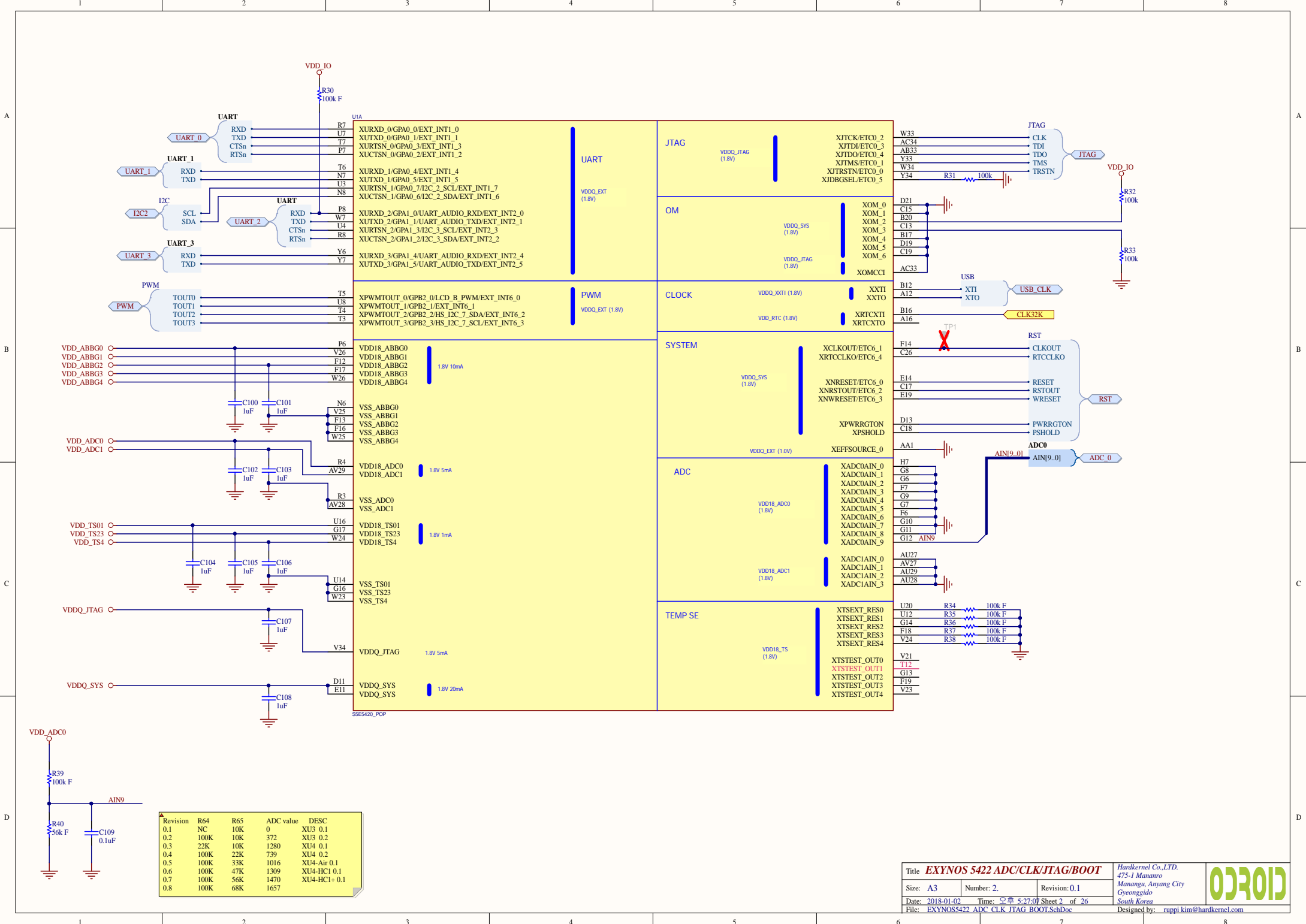
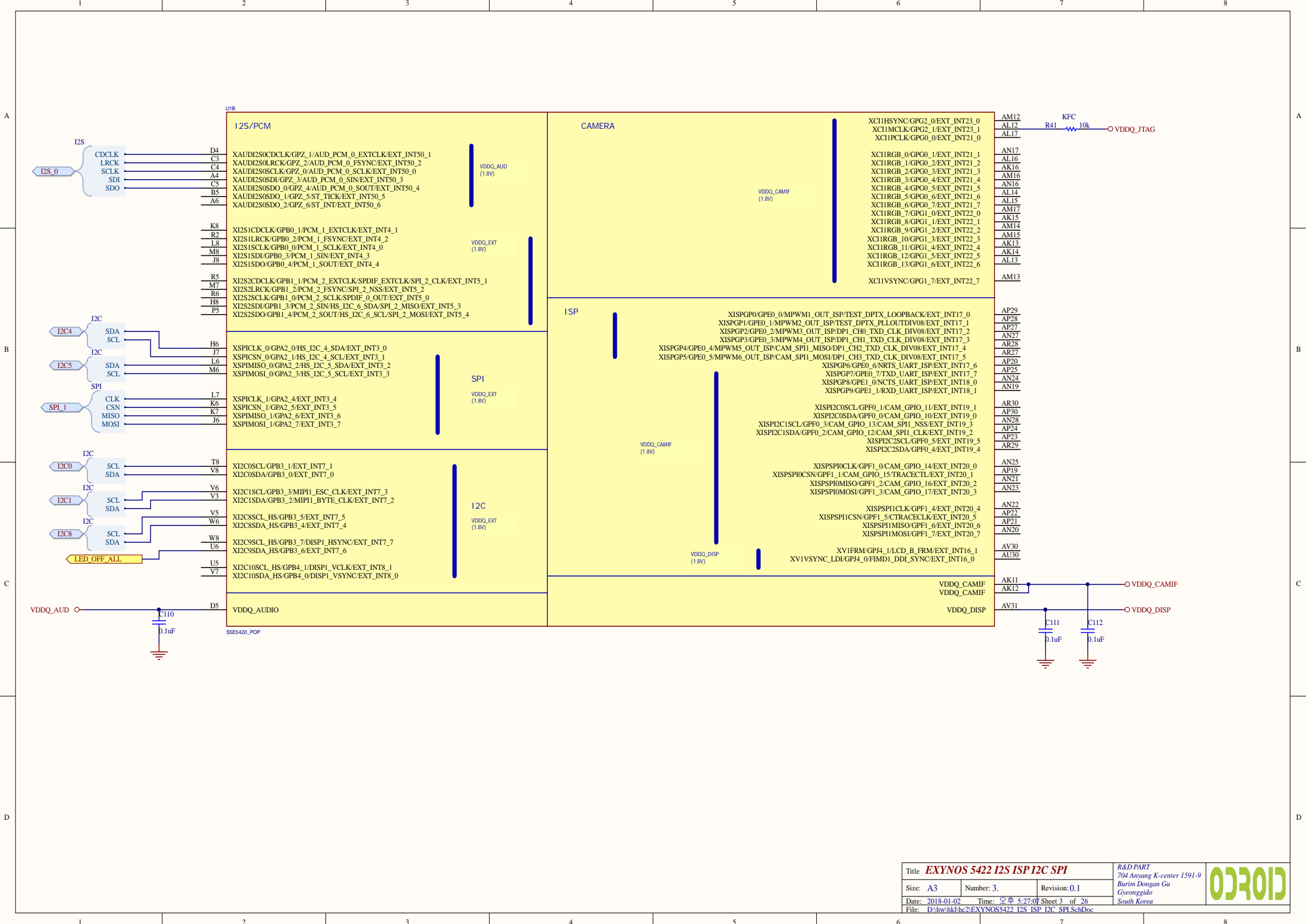


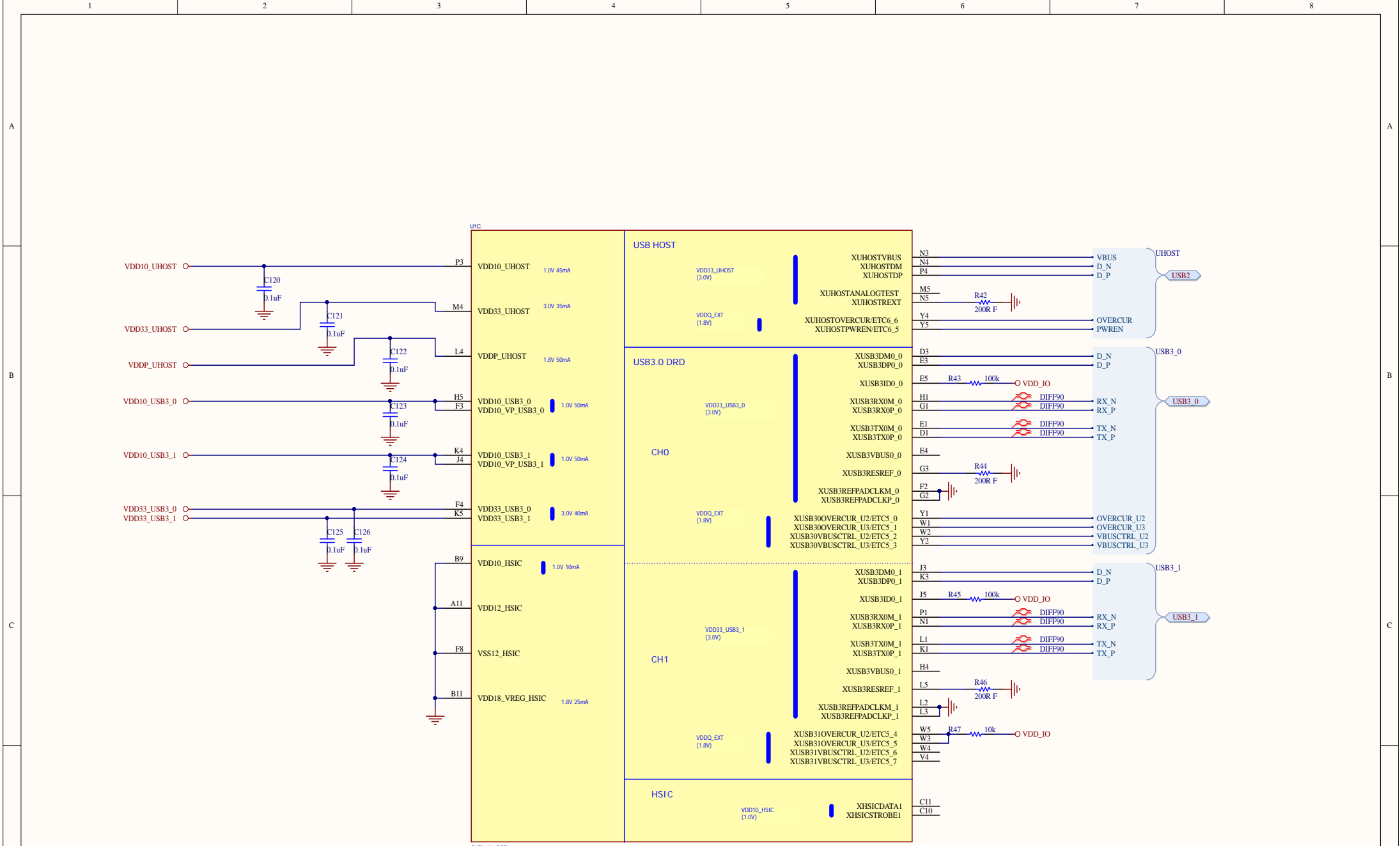
Title MCU EXYNOS5422			<i>Hardkernel Co.,LTD.</i> 475-1 Mananro Manangu, Anyang City Gyeonggido South Korea Designed by: ruppi.kim@hardkernel.com	
Size: A4	Number: 1.	Revision: 0.1		
Date: 2018-01-02	Time: 오후 5:27:06 Sheet 1 of 26			
File: MCU_EXYNOS5422.SchDoc				



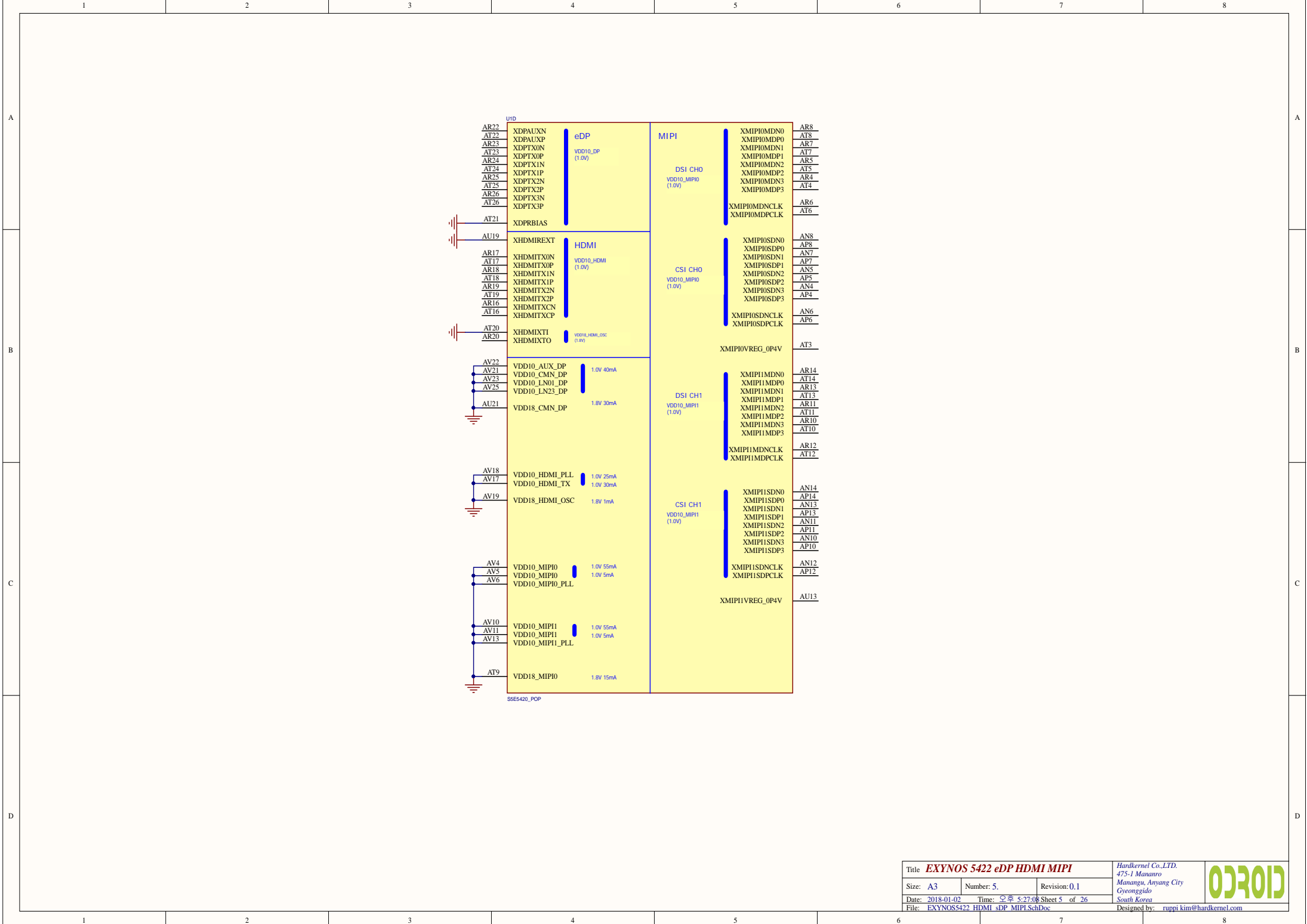
Revision	R64	R65	ADC value	DESC
0.1	NC	10K	0	XU3 0.1
0.2	100K	10K	372	XU3 0.2
0.3	22K	10K	1280	XU4 0.1
0.4	100K	22K	739	XU4 0.2
0.5	100K	33K	1016	XU4-Air 0.1
0.6	100K	47K	1309	XU4-HC1 0.1
0.7	100K	56K	1470	XU4-HC1+ 0.1
0.8	100K	68K	1657	



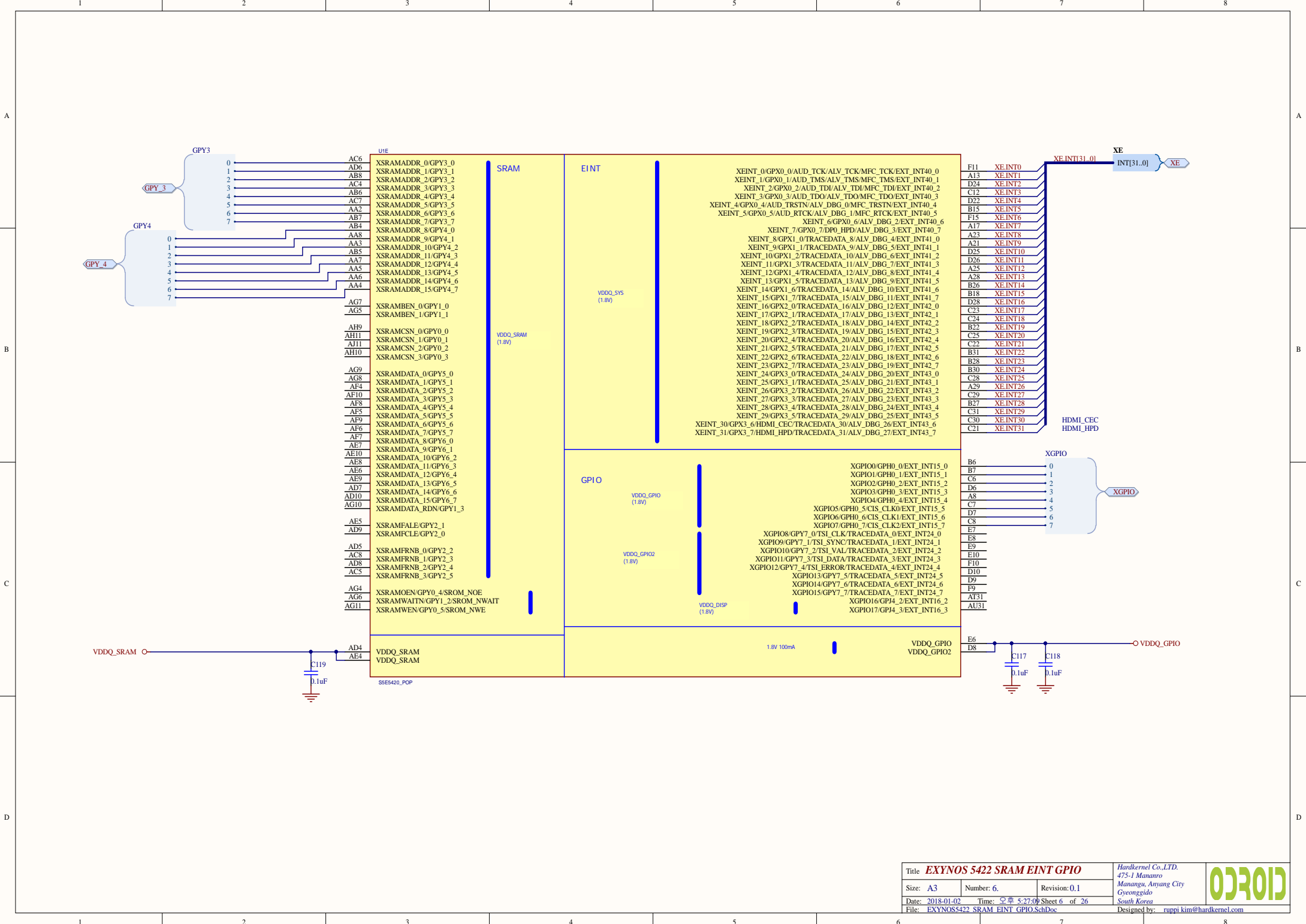




SSE420_POP



SSE5420_POP



A

A

B

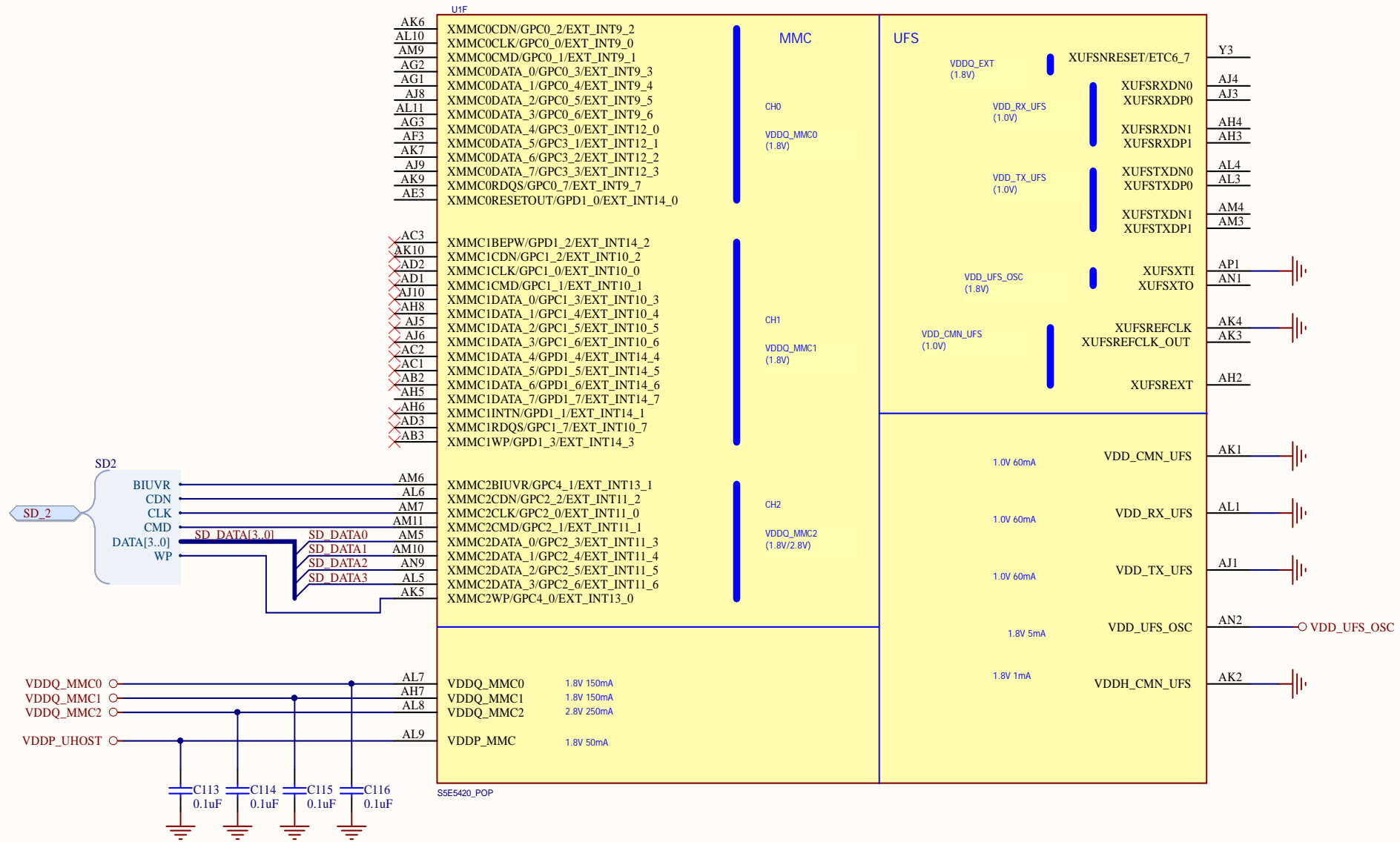
B

C

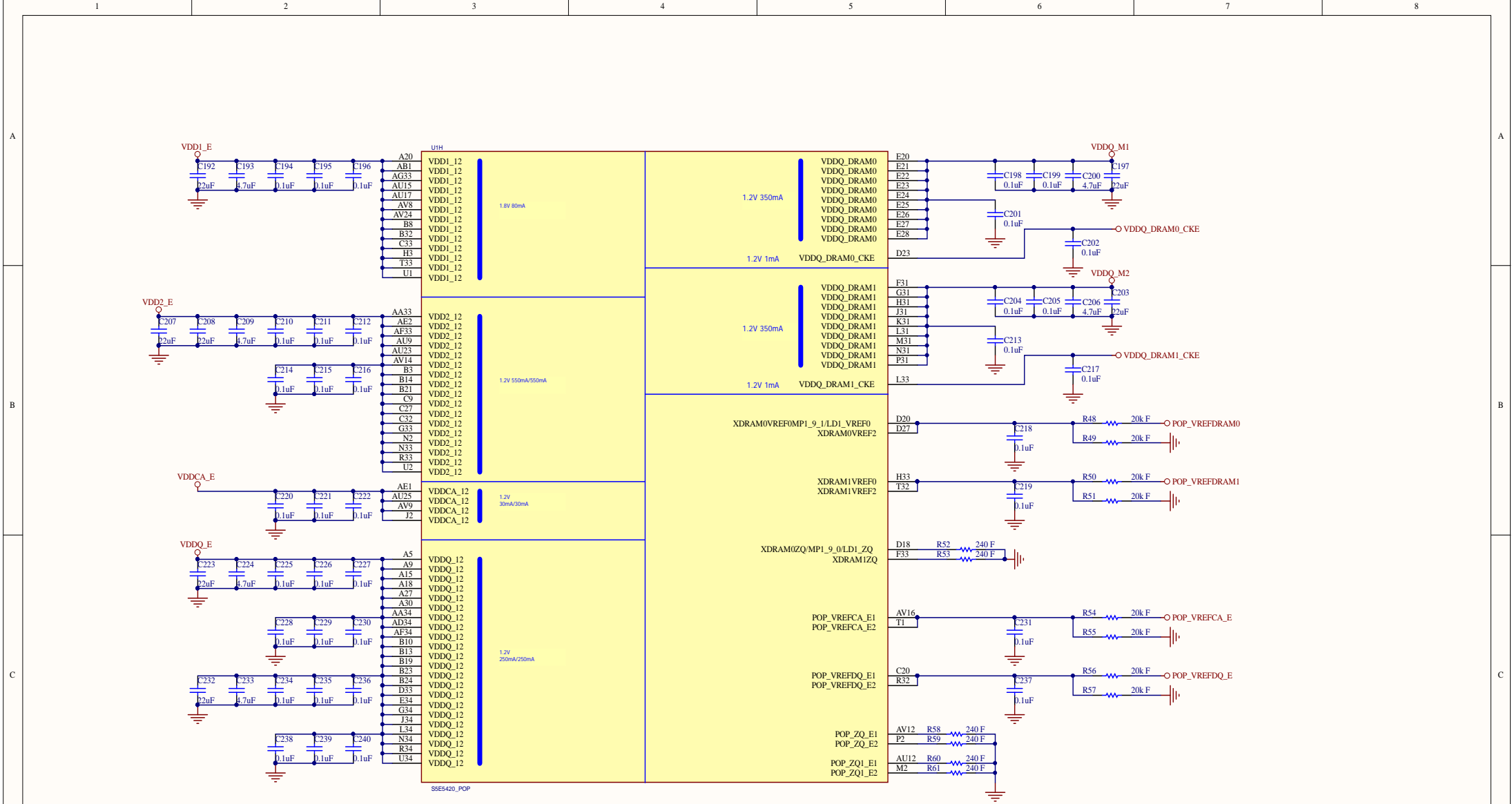
C

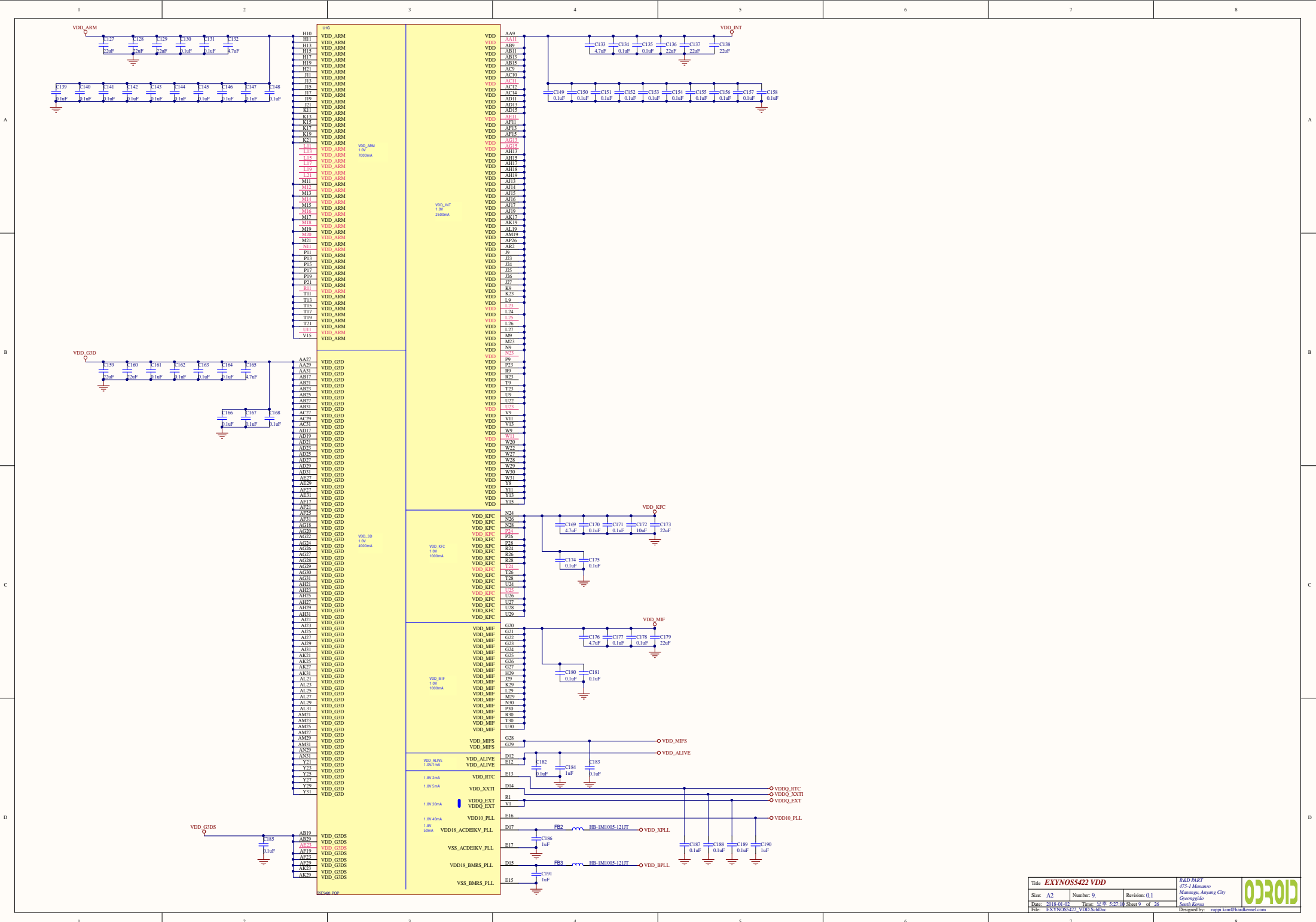
D

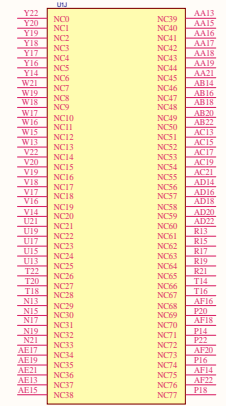
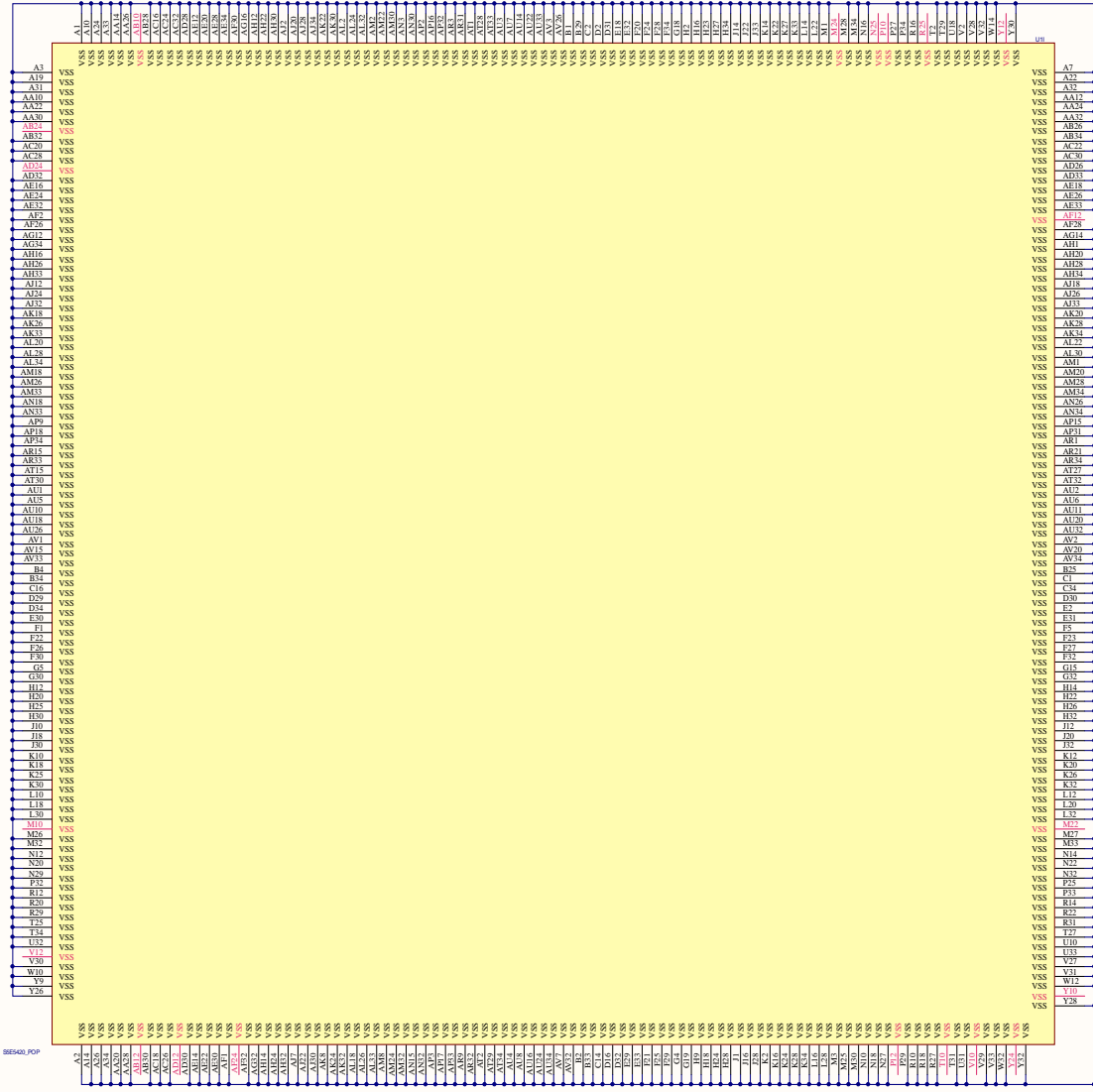
D

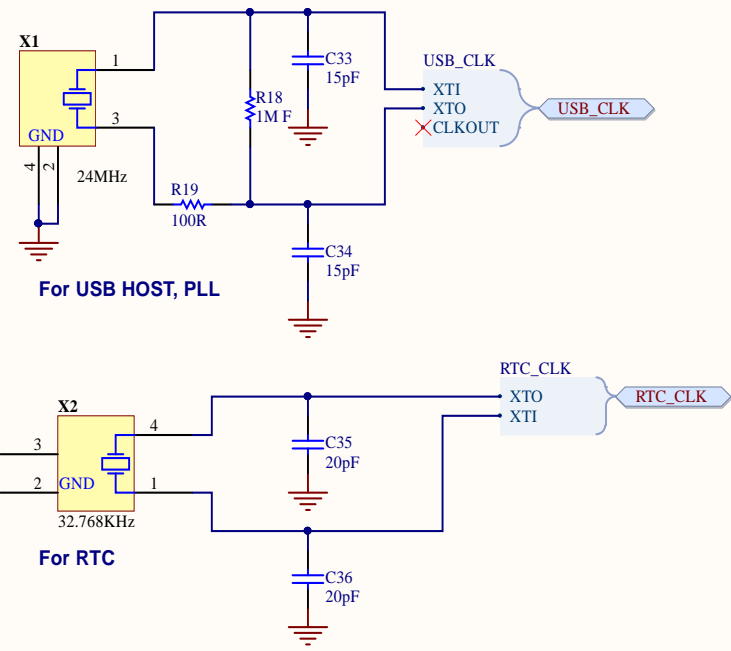



Title EXYNOS 5422 MMC UFS		Hardkernel Co.,LTD. 475-1 Mananro Manangu, Anyang City Gyeonggido South Korea		
Size: A4	Number: 7.	Revision: 0.1		
Date: 2018-01-02	Time: 오후 5:27:09		Sheet 7 of 26	
File: EXYNOS5422_MMC_UFS.SchDoc			Designed by: ruppi kim@hardkernel.com	

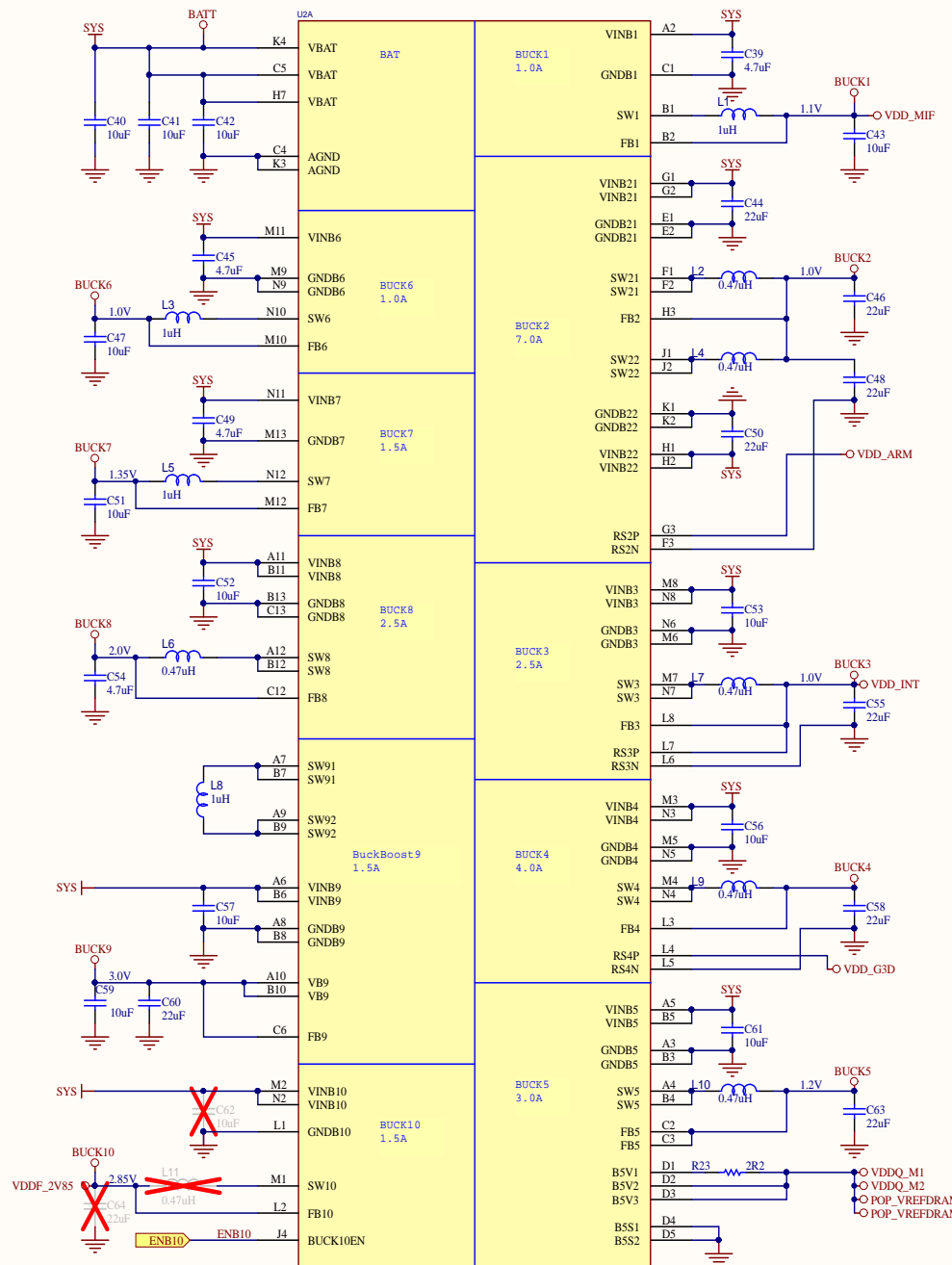








Title CLK			<i>Hardkernel Co.,LTD.</i> 475-1 Mananro Manangu, Anyang City Gyeongido South Korea Designed by: ruppi.kim@hardkernel.com	
Size: A4	Number: 11.	Revision:0.1		
Date: 2018-01-02	Time: 오후 5:27:12 Sheet 11 of 26			
File: CLK.SchDoc				

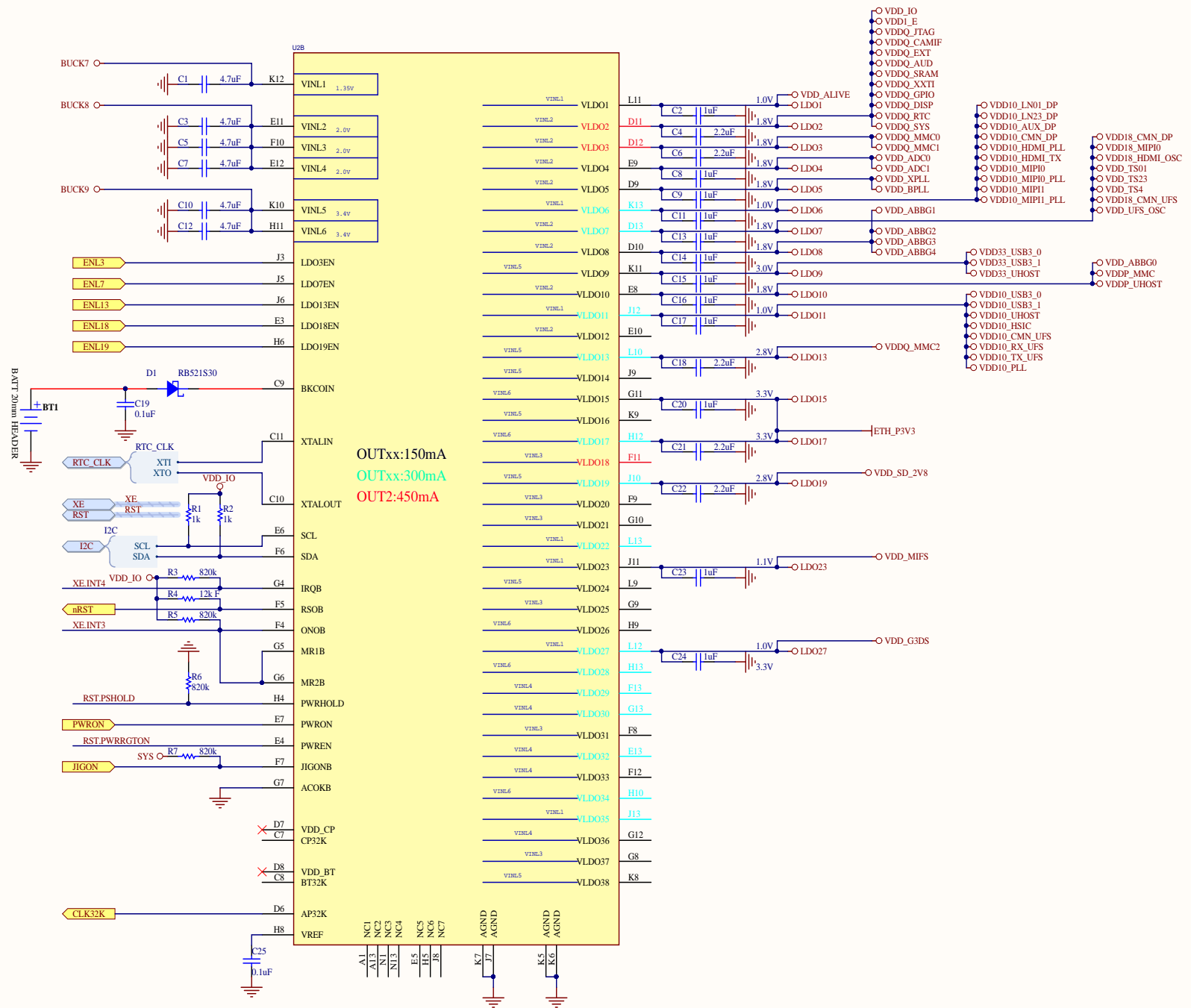


- VDD_MEM
- VDDCA_E
- VDD2_E
- POP_VREFCA_E
- VDDQ_DRAM0_CKE
- VDDQ_DRAM1_CKE
- VDDQ_E
- POP_VREFDRAM1
- POP_VREFDRAM0

S2MPS11B 4TH
I2C ADDR : 0xCCC(PM) 0x0C(RTC)

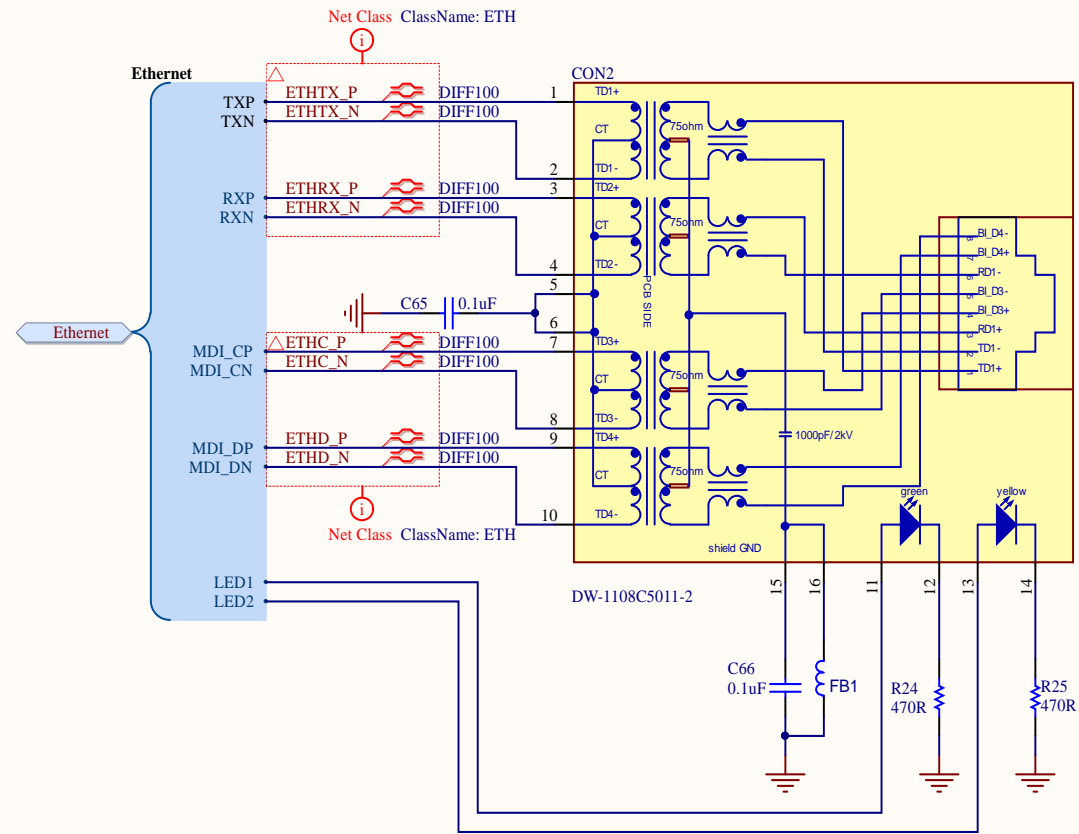
Title S2MPS11X BUCK		Hardkernel Co.,LTD. 475-1 Mananro Manangu, Anyang City Gyeongido South Korea	
Size: A3	Number: 12.	Revision: 0.1	Designed by: ruppi.kim@hardkernel.com
Date: 2018-01-02	Time: 오후 5:27:1E	Sheet 12 of 26	
File: PWR PMIC S2MPS11 BUCK.SchDoc			



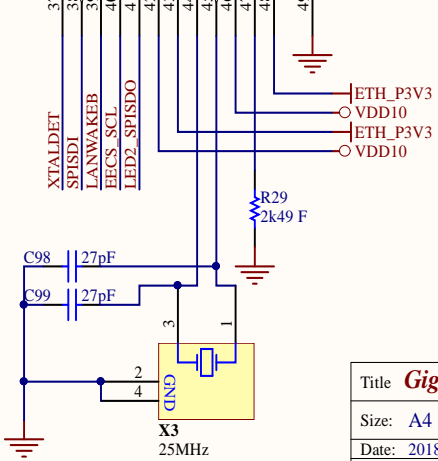
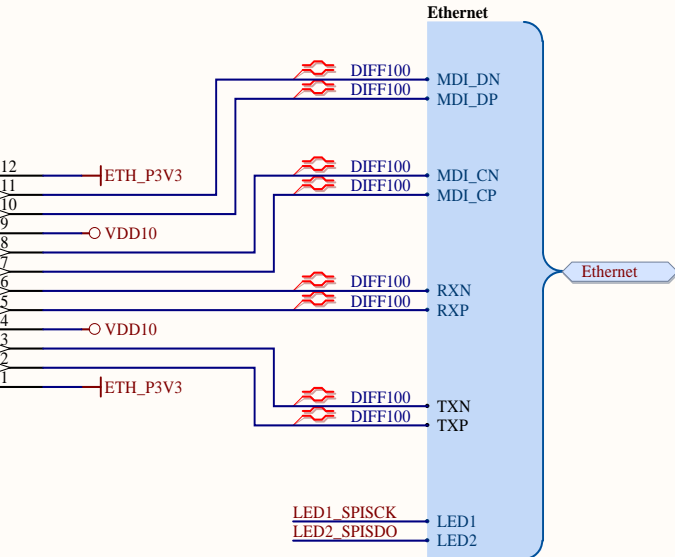
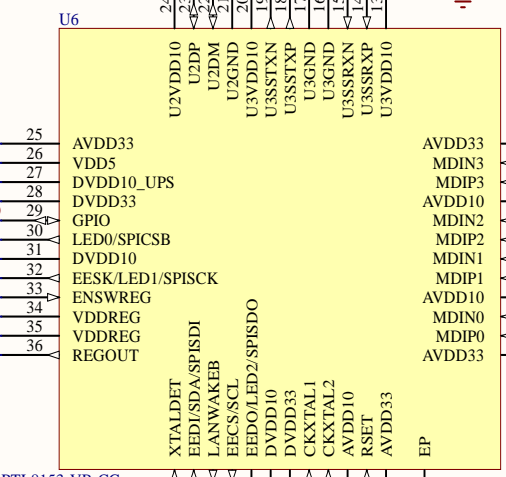
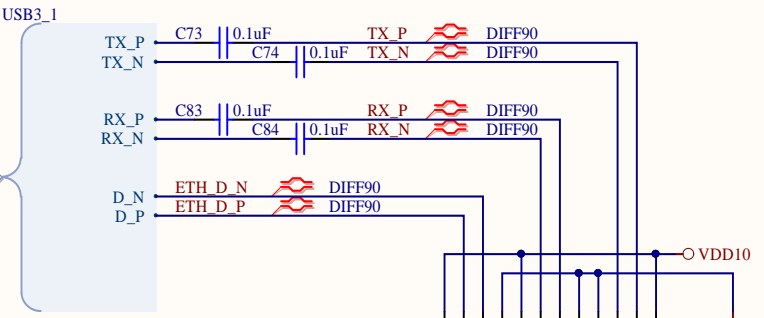
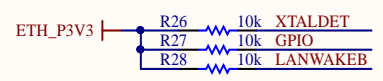
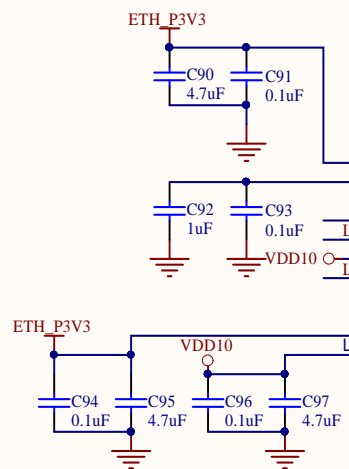
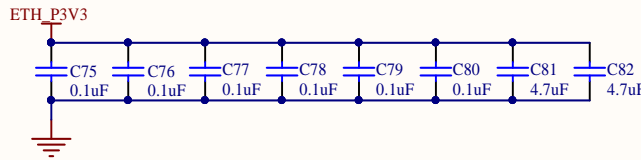
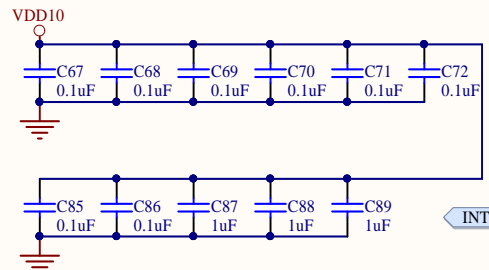


S2MPS11X_8
 I2C ADDR : 0xCC(PM) 0x0C(RTC)

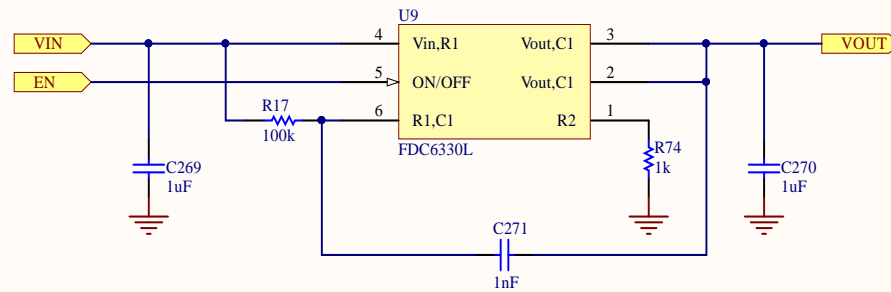





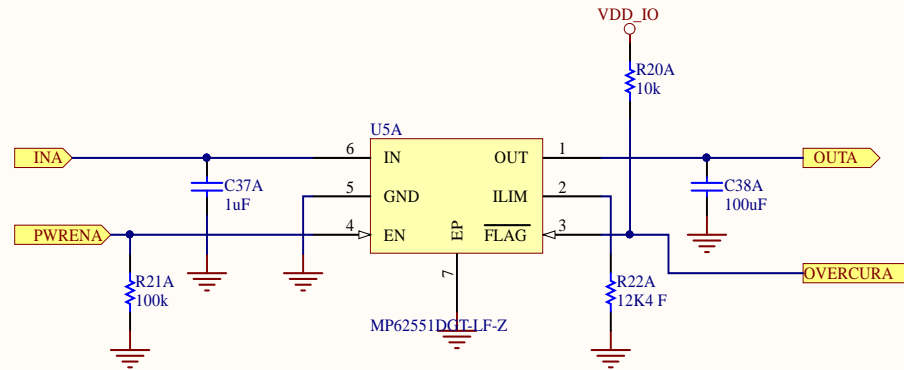
Title Giga Ethernet Connector			Hardkernel Co.,LTD. 475-1 Mananro Manangu, Anyang City Gyeonggido South Korea	
Size: A4	Number: 14.	Revision:0.1		
Date: 2018-01-02	Time: 오후 5:27:13	Sheet 14 of 26		
File: CON_GIGA_ETH.SchDoc			Designed by: ruppi.kim@hardkernel.com	




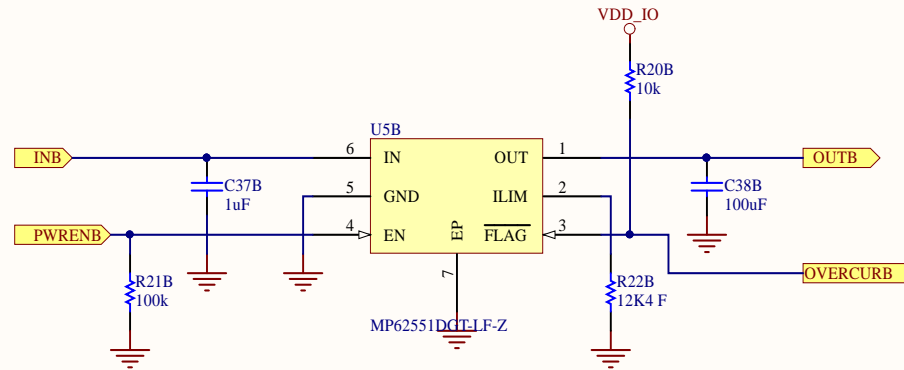
Title Giga Ethernet USB3.0 RT8153-VB			Hardkernel Co.,LTD. 475-1 Mananro Manangu, Anyang City Gyeonggido South Korea Designed by: ruppi.kim@hardkernel.com	
Size: A4	Number: 15.	Revision: 0.1		
Date: 2018-01-02	Time: 오후 5:27:18	Sheet 15 of 26		
File: GIGA_ETHERNET_PHY_RT8153-VB-CG.SchDoc				




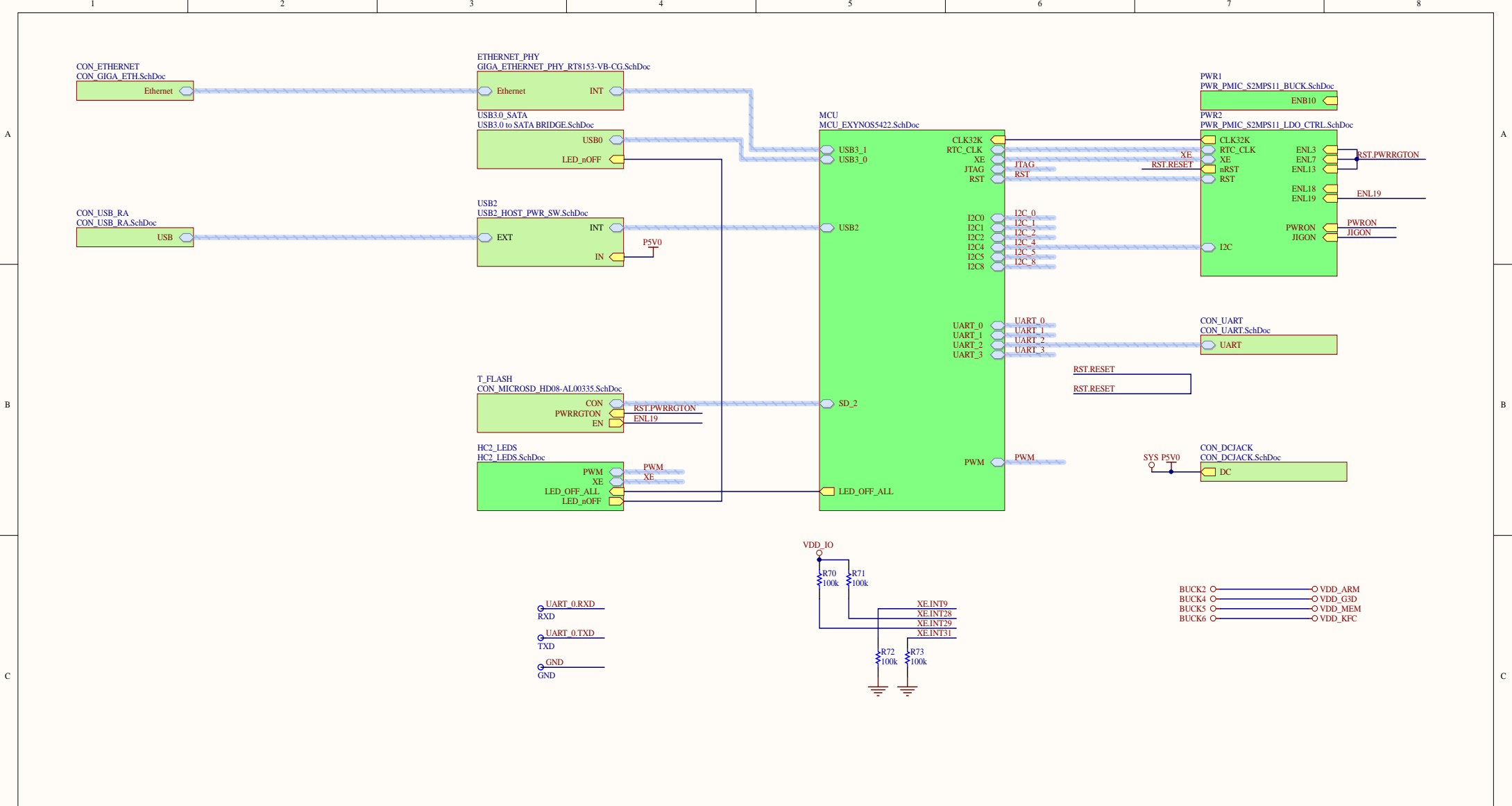
Title LOAD SW FDC330L			<i>Hardkernel Co.,LTD.</i> 704 Anyang K-center 1591-9 Manangu, Anyang City Gyeongido South Korea Designed by: ruppi.kim@hardkernel.com	
Size: A4	Number: 16.	Revision:0.1		
Date: 2018-01-02	Time: 오후 5:27:14 Sheet 16 of 26			
File: LOAD_SW_FDC6330L.SchDoc				



Title USB HOST Power Switch			Hardkernel Co.,LTD. 475-1 Mananro Manangu, Anyang City Gyeonggido South Korea Designed by: ruppi.kim@hardkernel.com	
Size: A4	Number: 17.	Revision:0.1		
Date: 2018-01-02	Time: 오후 5:27:14	Sheet 17 of 26		
File: MP62551.SchDoc				



Title USB HOST Power Switch			<i>Hardkernel Co.,LTD.</i> 475-1 Mananro Manangu, Anyang City Gyeonggido South Korea Designed by: ruppi.kim@hardkernel.com	
Size: A4	Number: 17.	Revision:0.1		
Date: 2018-01-02	Time: 오후 5:27:14	Sheet 17 of 26		
File: MP62551.SchDoc				

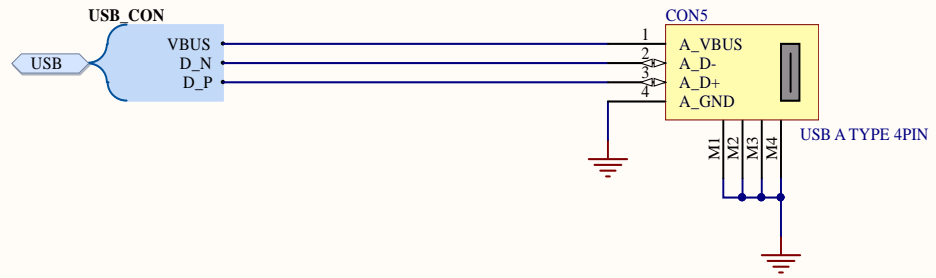



Mounting Holes

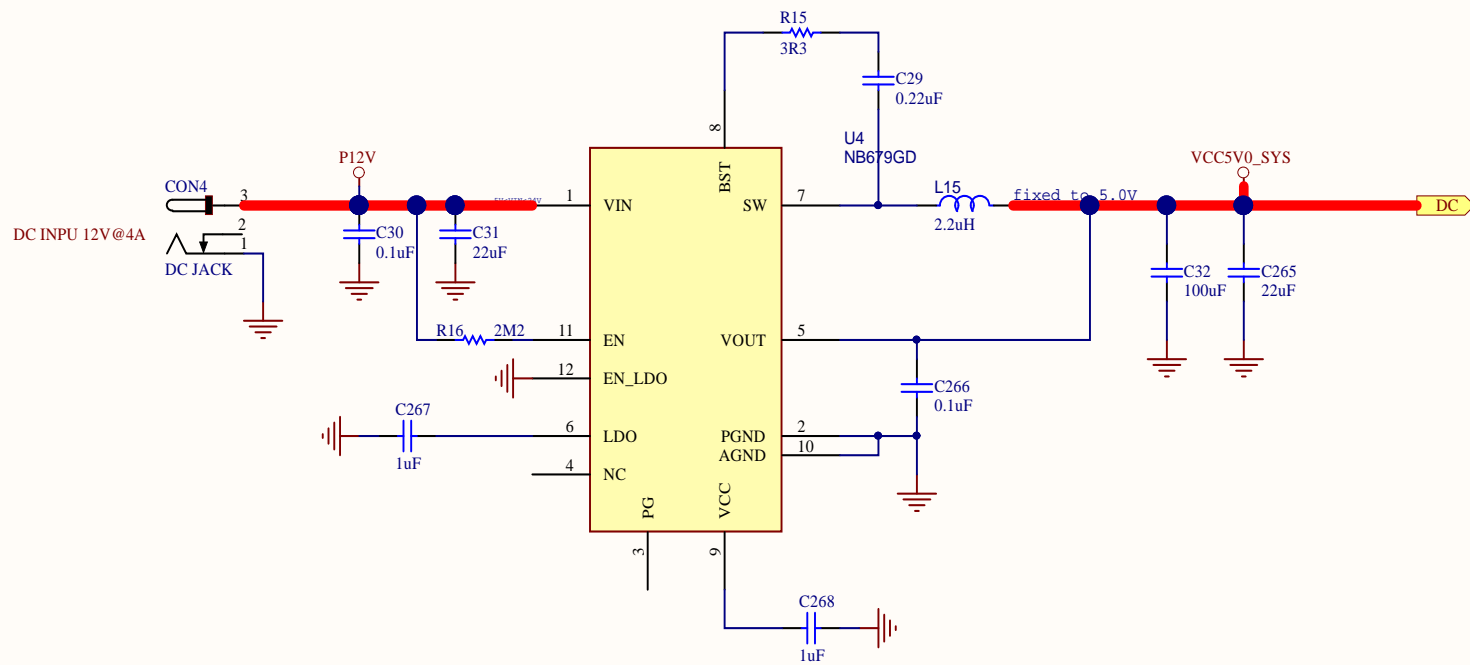


Heat Sink





Title USB 2.0 Type A Connector			Hardkernel Co.,LTD. 475-1 Mananro Manangu, Anyang City Gyeonggido South Korea	
Size: A4	Number: 19.	Revision:0.1		
Date: 2018-01-02	Time: 오후 5:27:14		Sheet 19 of 26	
File: CON_USB_RA.SchDoc			Designed by: ruppi kim@hardkernel.com	



Title **DC Jack and Potection IC**

Size: A4

Number: 20.

Revision: 0.1

Date: 2018-01-02 Time: 오후 5:27:14 Sheet 20 of 26

File: CON_DCJACK.SchDoc

Hardkernel Co.,LTD.
475-1 Mananro
Manangu, Anyang City
Gyeongido
South Korea

Designed by: ruppi.kim@hardkernel.com



1

2

3

4

A

A

B

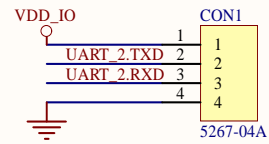
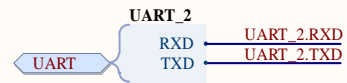
B


C

C

D

D



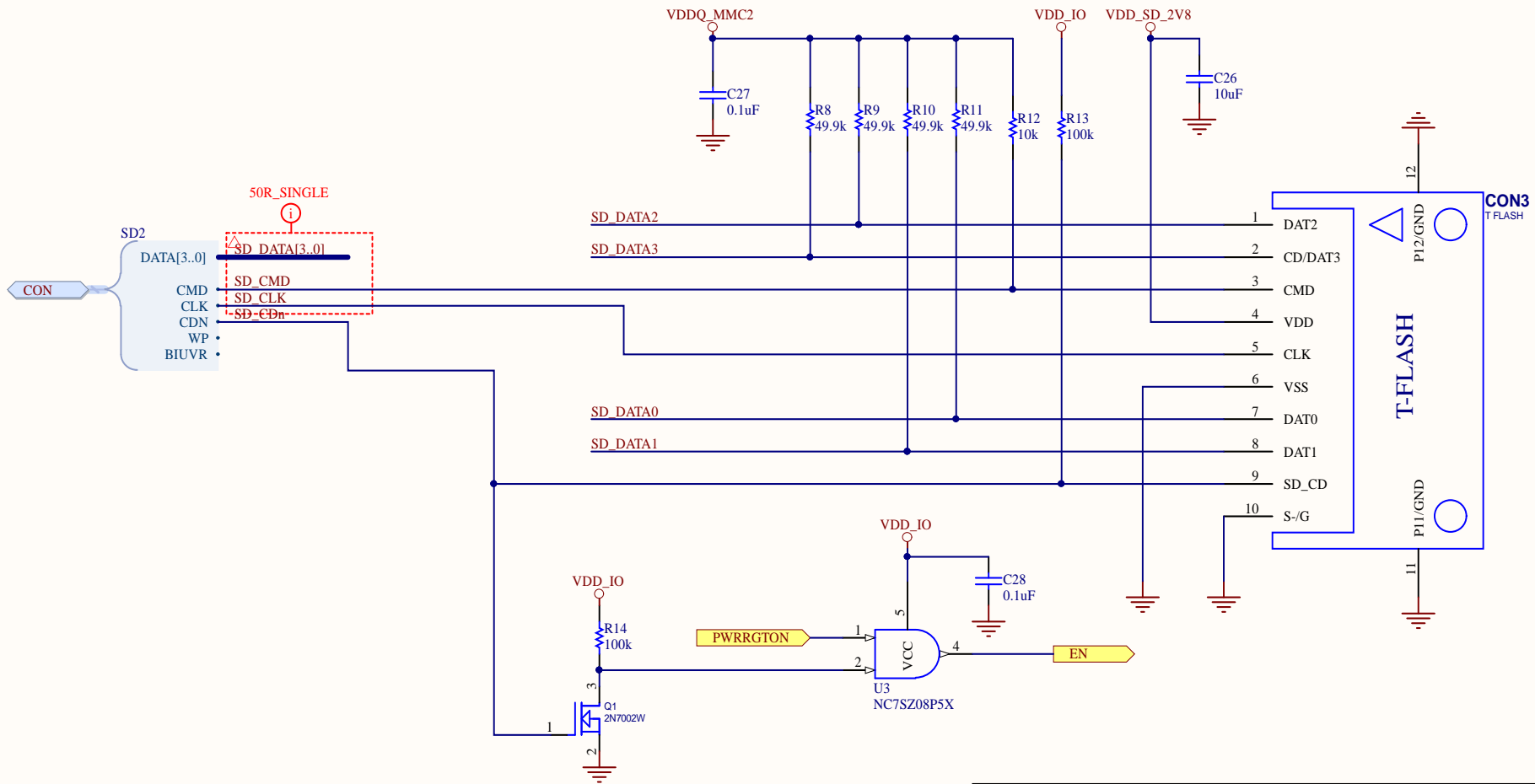
Title UART Connector			<i>Hardkernel Co.,LTD.</i> 475-1 Mananro Manangu, Anyang City Gyeonggido South Korea Designed by: ruppi.kim@hardkernel.com	
Size: A4	Number: 21.	Revision: 0.1		
Date: 2018-01-02	Time: 오후 5:27:15	Sheet 21 of 26		
File: CON_UART.SchDoc				

1

2

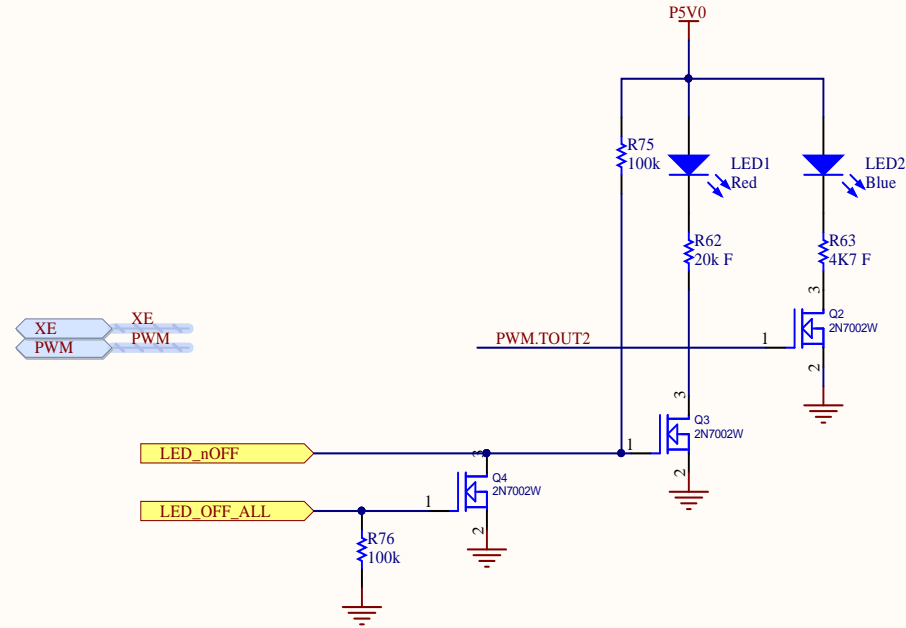
3


4

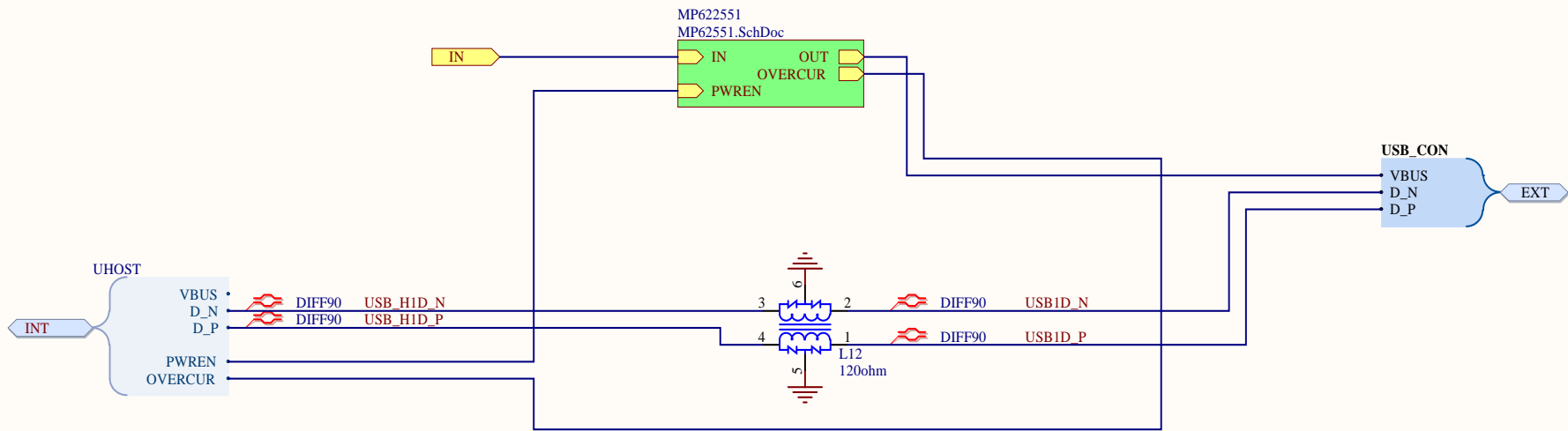



Title Micro SD Socket		Hardkernel Co.,LTD. 475-1 Mananro Manangu, Anyang City Gyeonggido South Korea	
Size: A4	Number: 22.	Revision:0.1	
Date: 2018-01-02	Time: 오후 5:27:15	Sheet 22 of 26	
File: CON_MICROSD_HD08-AL00335.SchDoc		Designed by: ruppi kim@hardkernel.com	

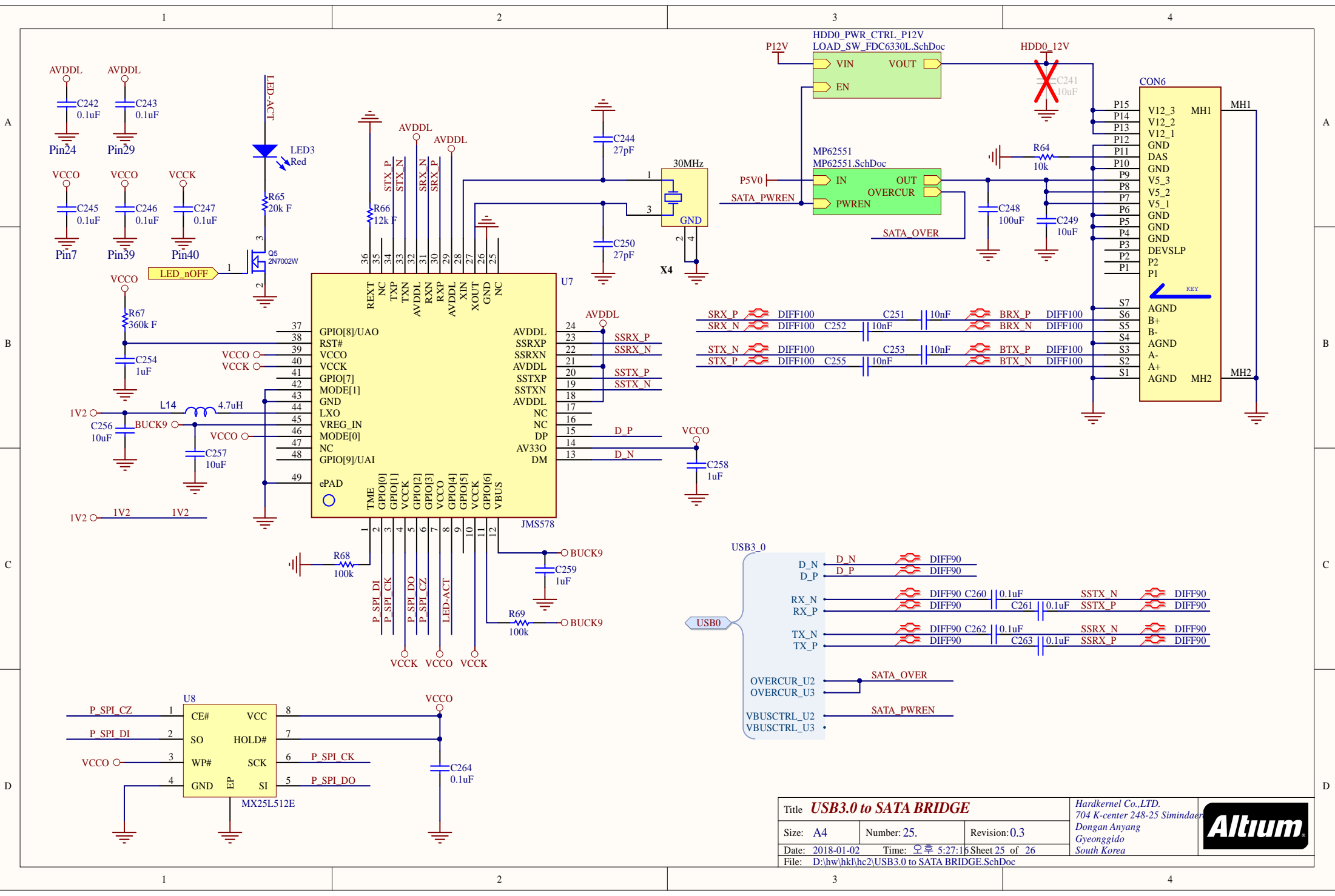




Title Indicator LEDs			<i>Hardkernel Co.,LTD.</i> 475-1 Mananro Manangu, Anyang City Gyeonggido South Korea Designed by: ruppi.kim@hardkernel.com	
Size: A4	Number: 23.	Revision: 0.1		
Date: 2018-01-02	Time: 오후 5:27:15	Sheet 23 of 26		
File: HC2_LEDS.SchDoc				



Title USB HOST PWR SW			Hardkernel Co.,LTD. 475-1 Mananro Manangu, Anyang City Gyeonggido South Korea Designed by: ruppi.kim@hardkernel.com	
Size: A4	Number: 24.	Revision:0.1		
Date: 2018-01-02	Time: 오후 5:27:15 Sheet 24 of 26			
File: USB2_HOST_PWR_SW.SchDoc				



Title USB3.0 to SATA BRIDGE			Hardkernel Co.,LTD. 704 K-center 248-25 Simindae Dongan Anyang Gyeonggido South Korea	
Size: A4	Number: 25.	Revision: 0.3		
Date: 2018-01-02	Time: 오후 5:27:15	Sheet 25 of 26		
File: D:\hw\hkl\hc2\USB3.0 to SATA BRIDGE.SchDoc				