

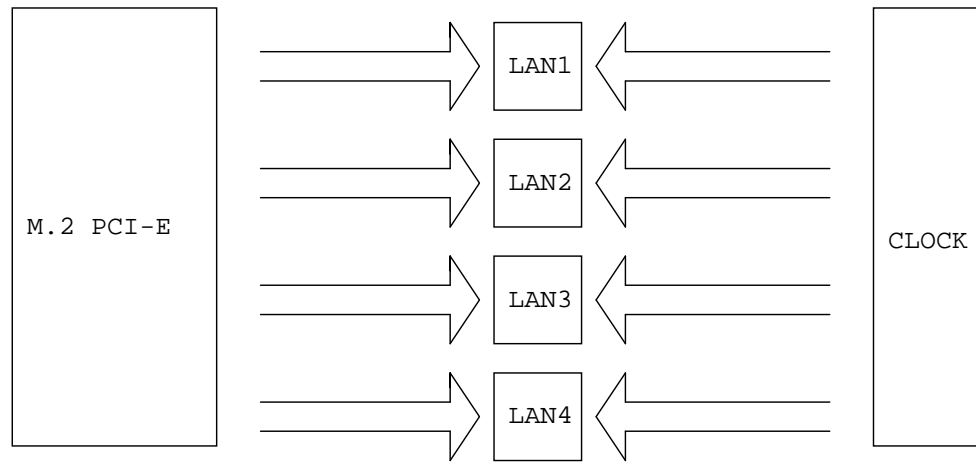
GLK-SFF-4LAN Schematics

Intel GeminiLake Platform

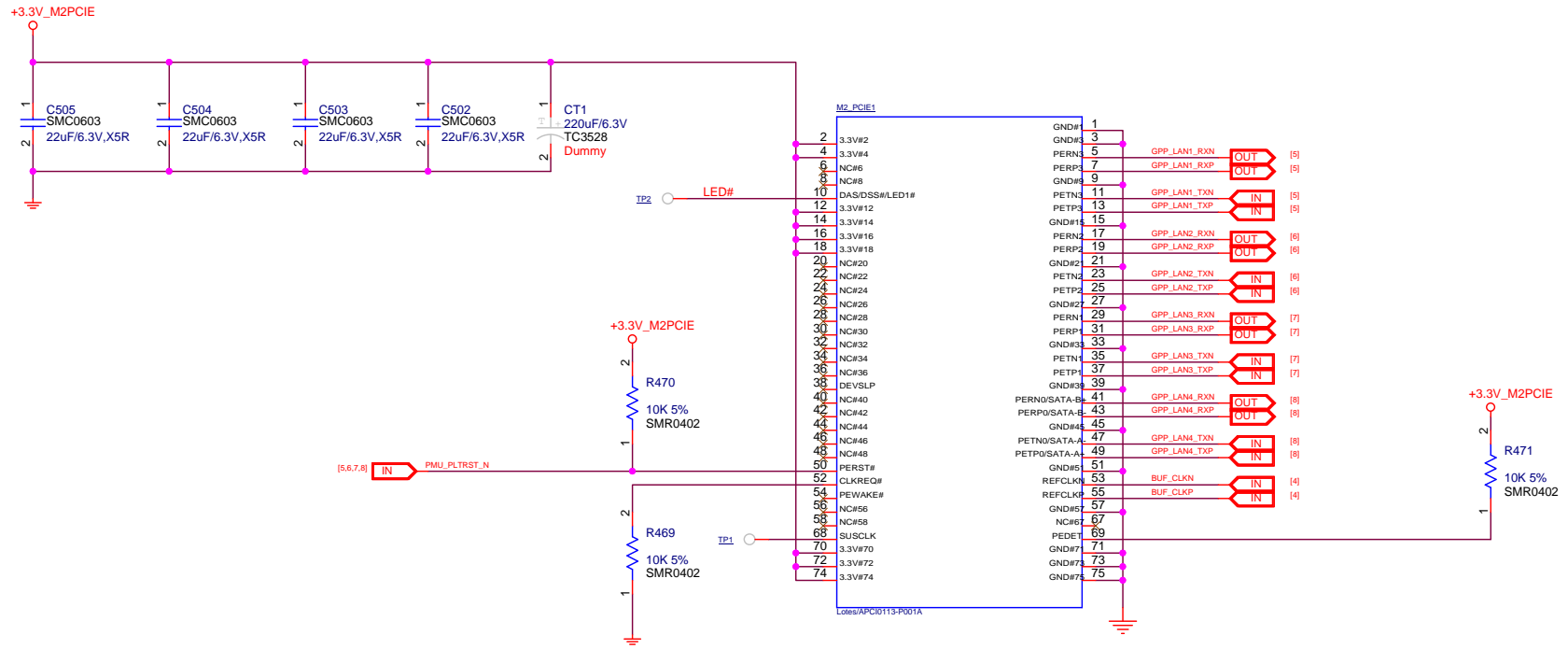
2020-09-16

Title		
XUNDUN		
Size	Document Number	Rev
B	GLK-SFF-4LAN	A
Date:	Wednesday, October 21, 2020	Sheet 1 of 10

BLOCK DIAGRAMS

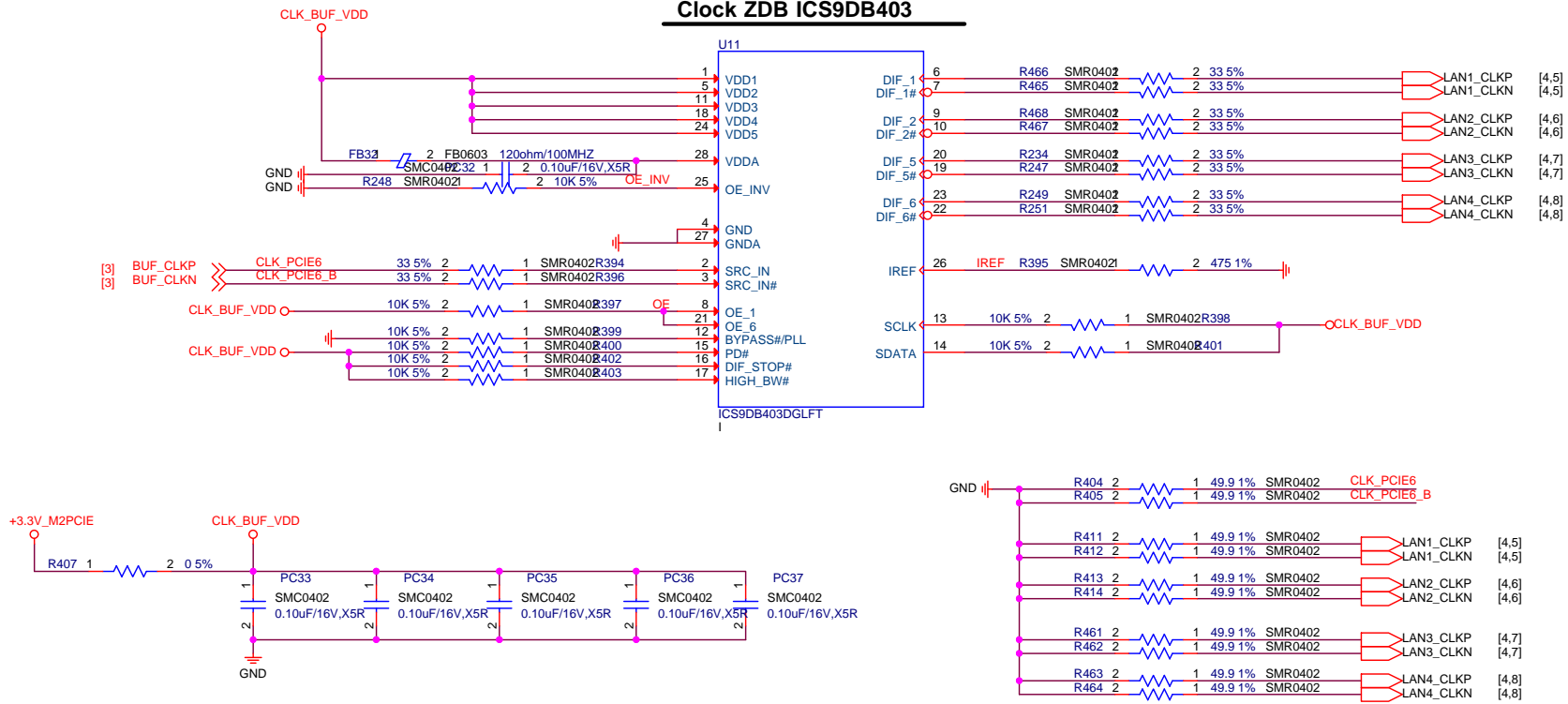


Title		
XUNDUN		
Size	Document Number	Rev
B	GLK-SFF-4LAN	A
Date:	Wednesday, October 21, 2020	Sheet 2 of 10

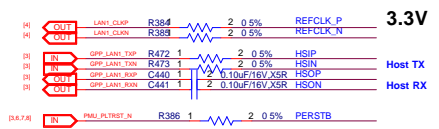
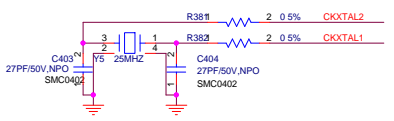


Title		
XUNDUN		
Size	Document Number	Rev
B	GLK-SFF-4LAN	A
Date:	Wednesday, October 21, 2020	Sheet 3 of 10

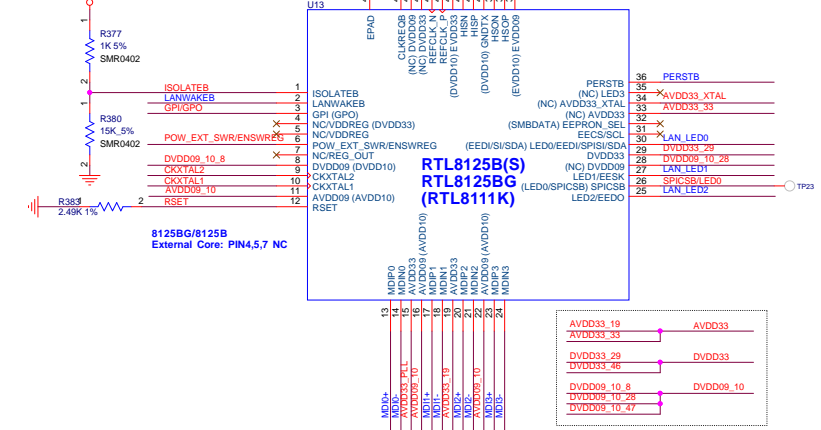
Clock ZDB ICS9DB403



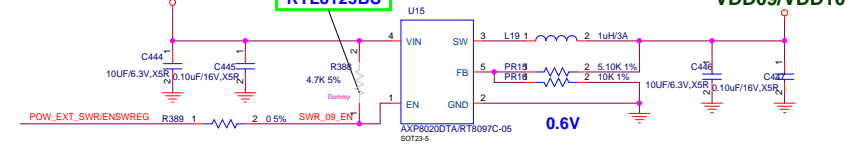
Title		
XUNDUN		
Size	Document Number	Rev
B	GLK-SFF-4LAN	A
Date:	Wednesday, October 21, 2020	Sheet 4 of 10



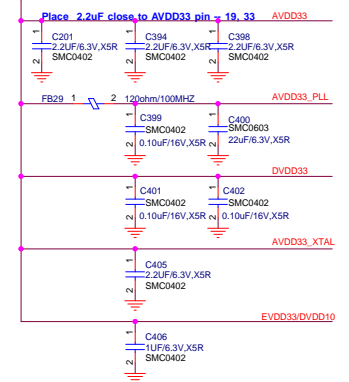
LAN1_VDD3P3



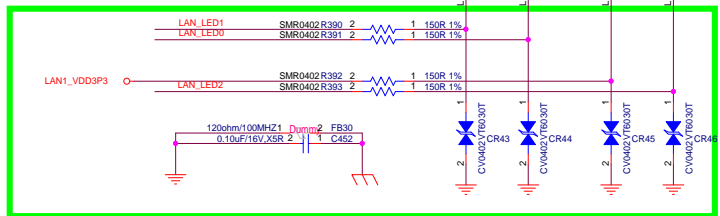
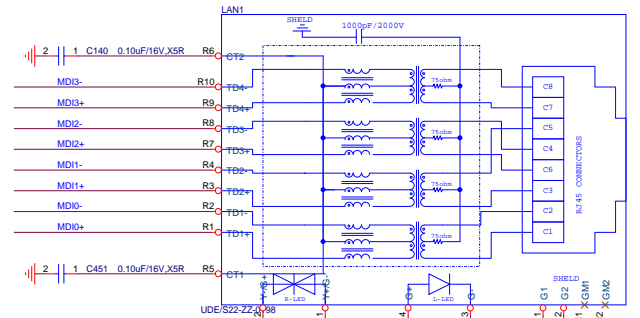
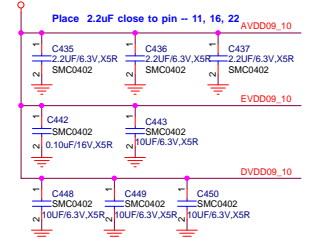
LAN1_VDD3P3

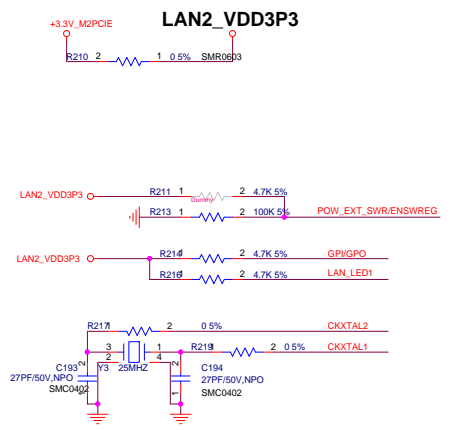


LAN1_VDD3P3

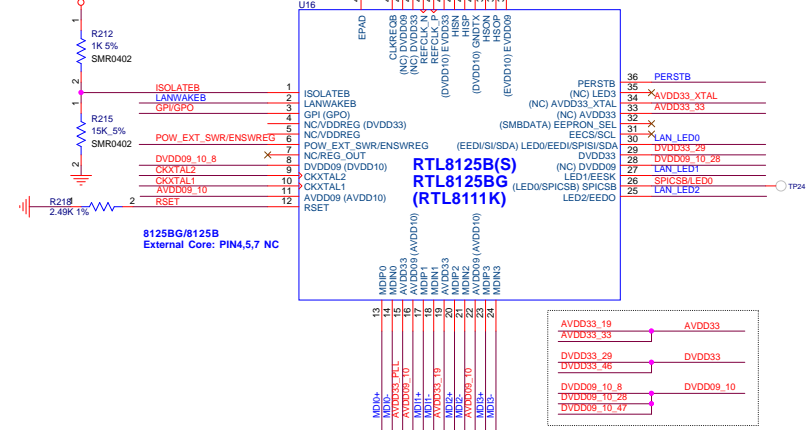


VDD09/VDD10

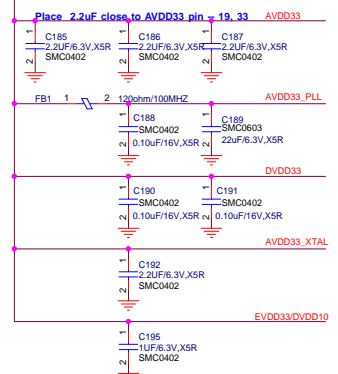




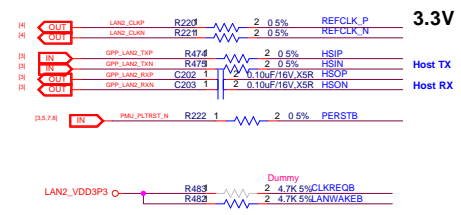
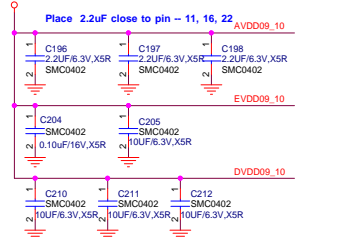
LAN2_VDD3P3



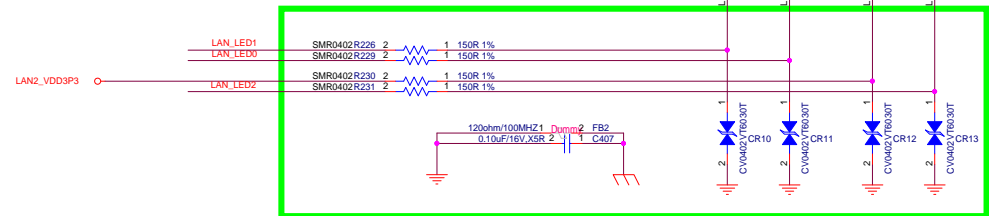
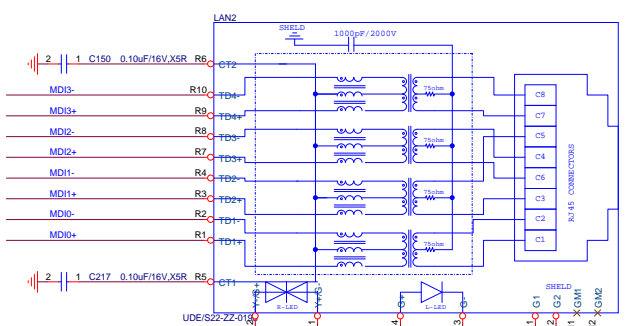
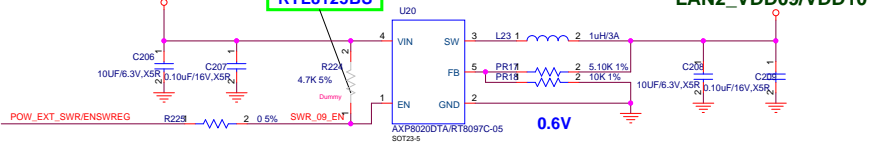
LAN2_VDD3P3

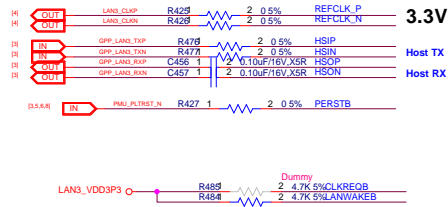
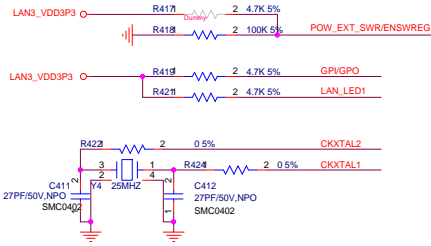
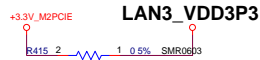


LAN2_VDD09/VDD10

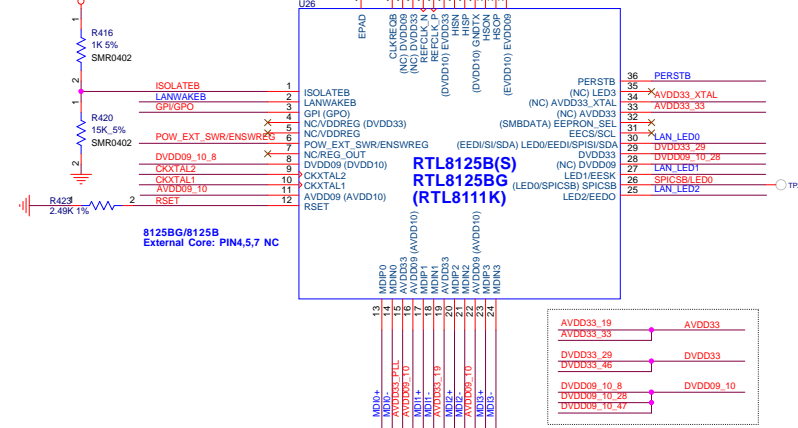


LAN2_VDD3P3

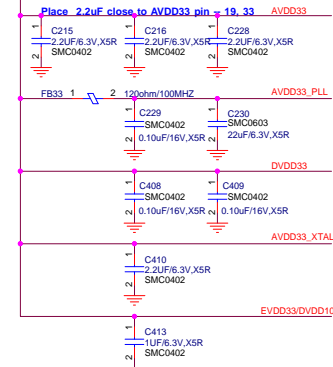




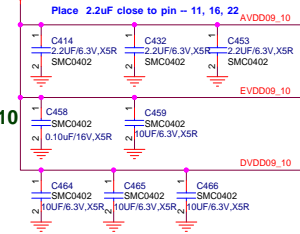
LAN3_VDD3P3



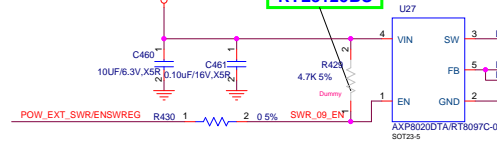
LAN3_VDD3P3



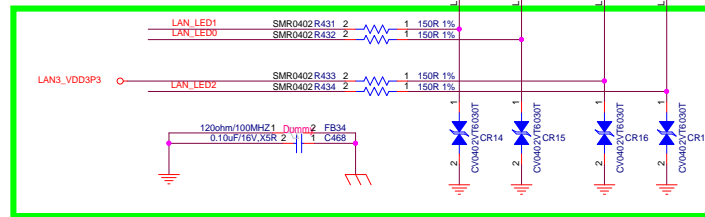
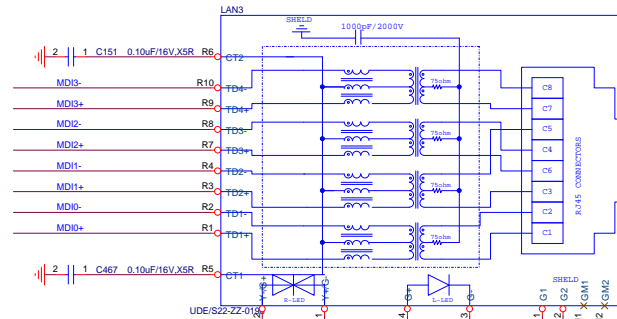
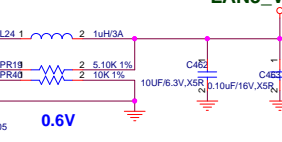
LAN3_VDD09/VDD10

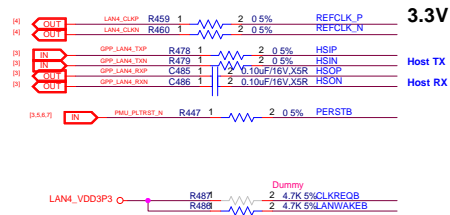
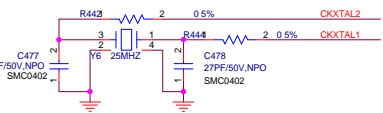
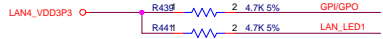


LAN3_VDD3P3

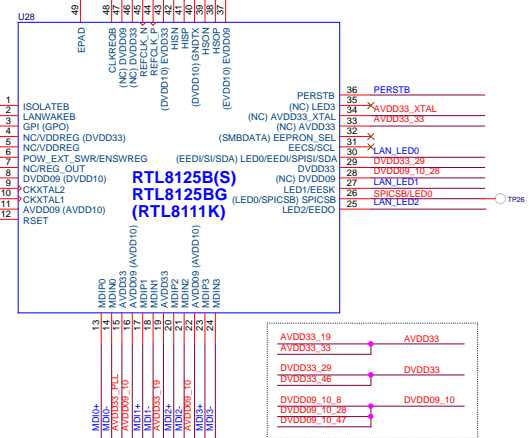
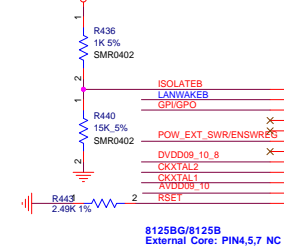


LAN3_VDD09/VDD10

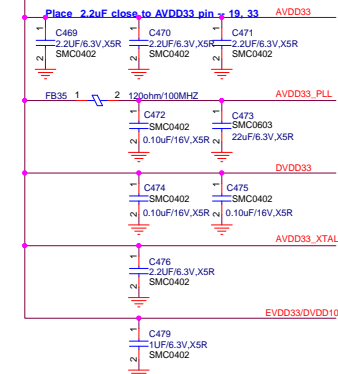




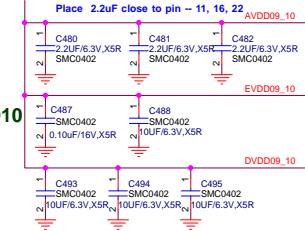
LAN4_VDD3P3



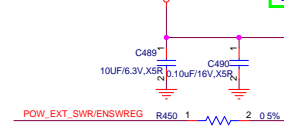
LAN4_VDD3P3



LAN4_VDD09/VDD10

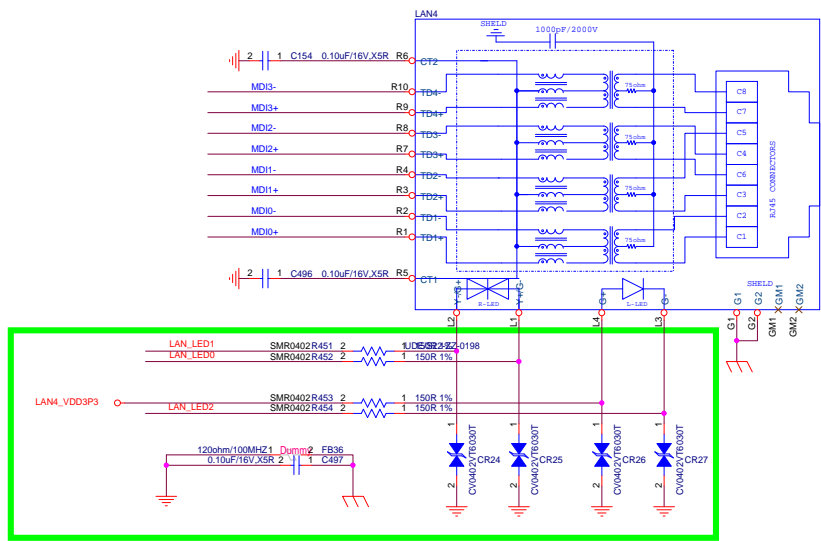


LAN4_VDD3P3

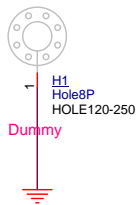


RTL8125BS

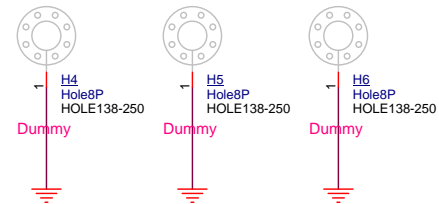
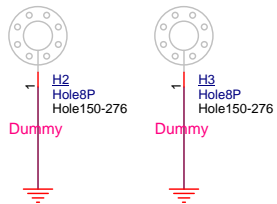
LAN4_VDD09/VDD10



M.2- screw hole



screw hole



Title		
XUNDUN		
Size	Document Number	Rev
B	GLK-SFF-4LAN	A
Date:	Wednesday, October 21, 2020	Sheet 9 of 10

Change List

2020-9-16 : Change screw hole size H2,H3