

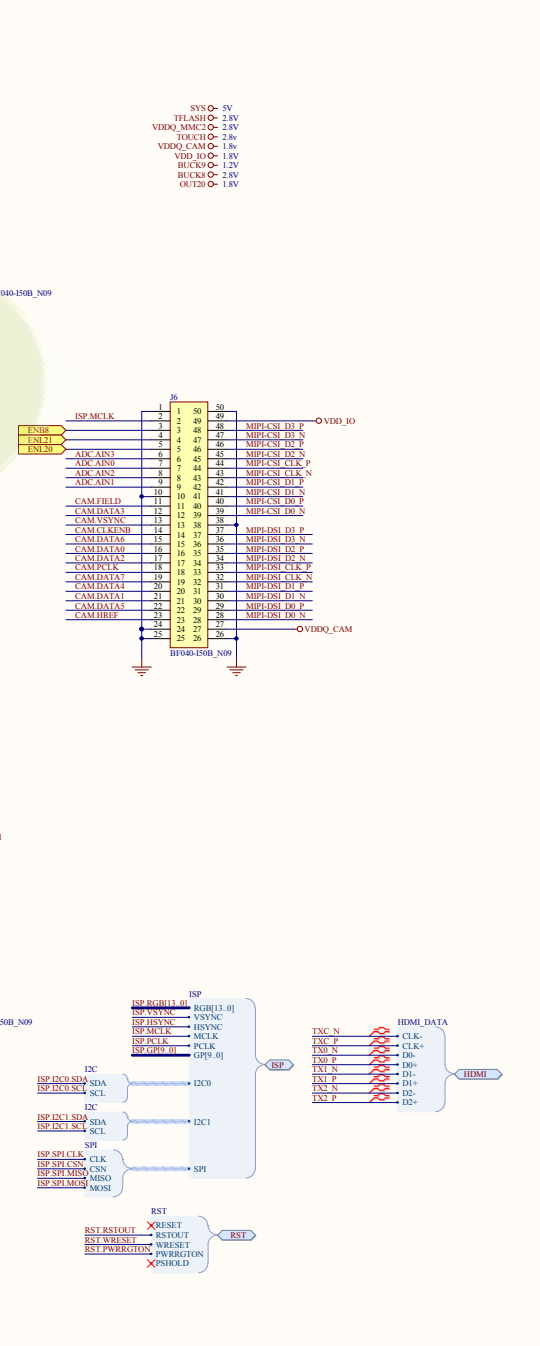
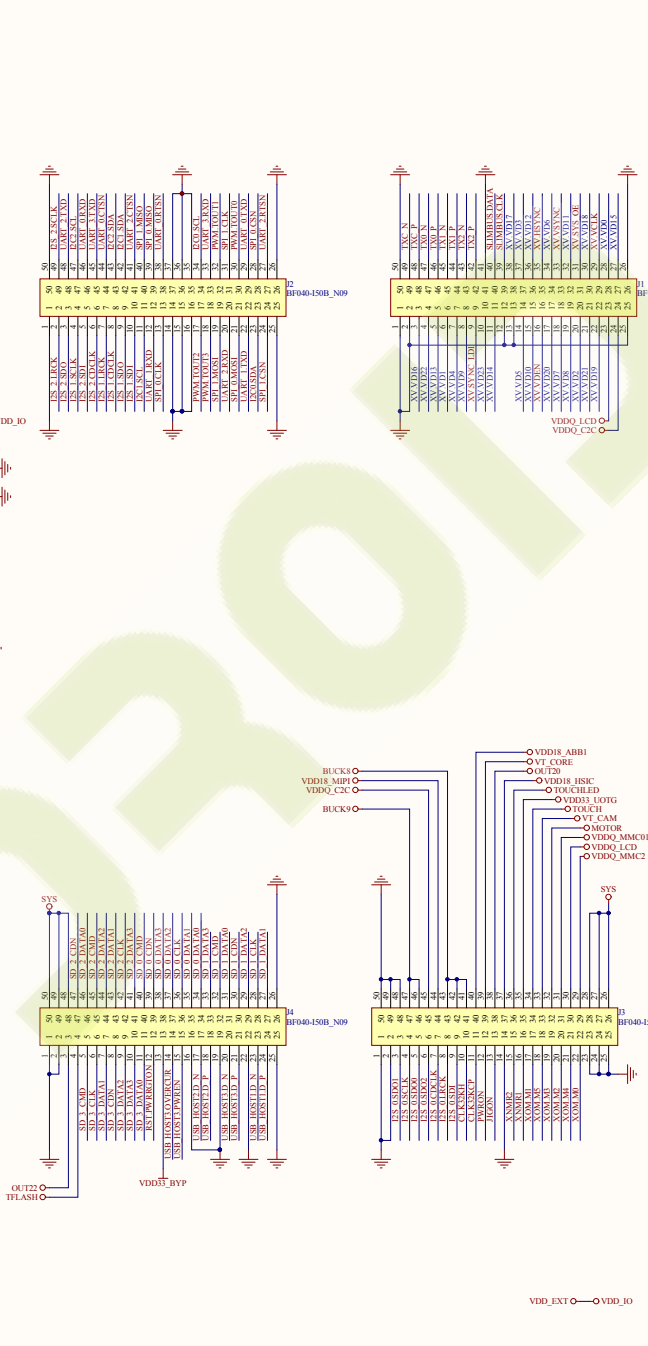
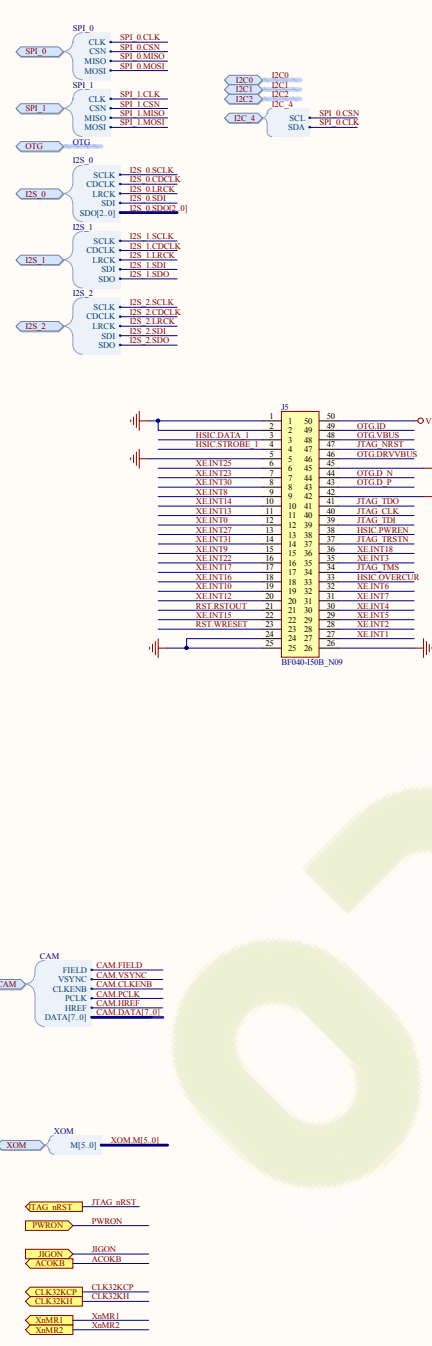
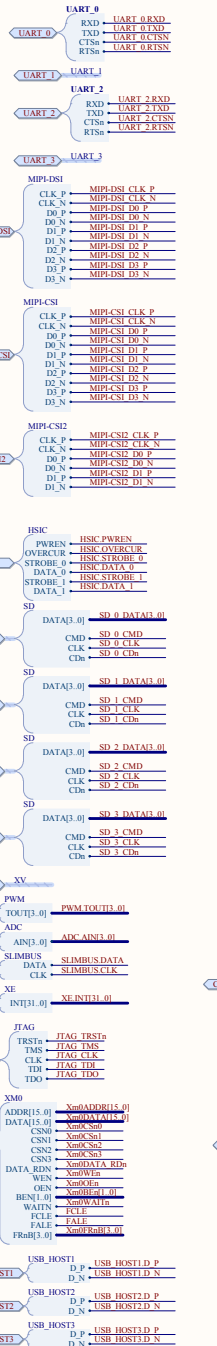
### Mounting Holes

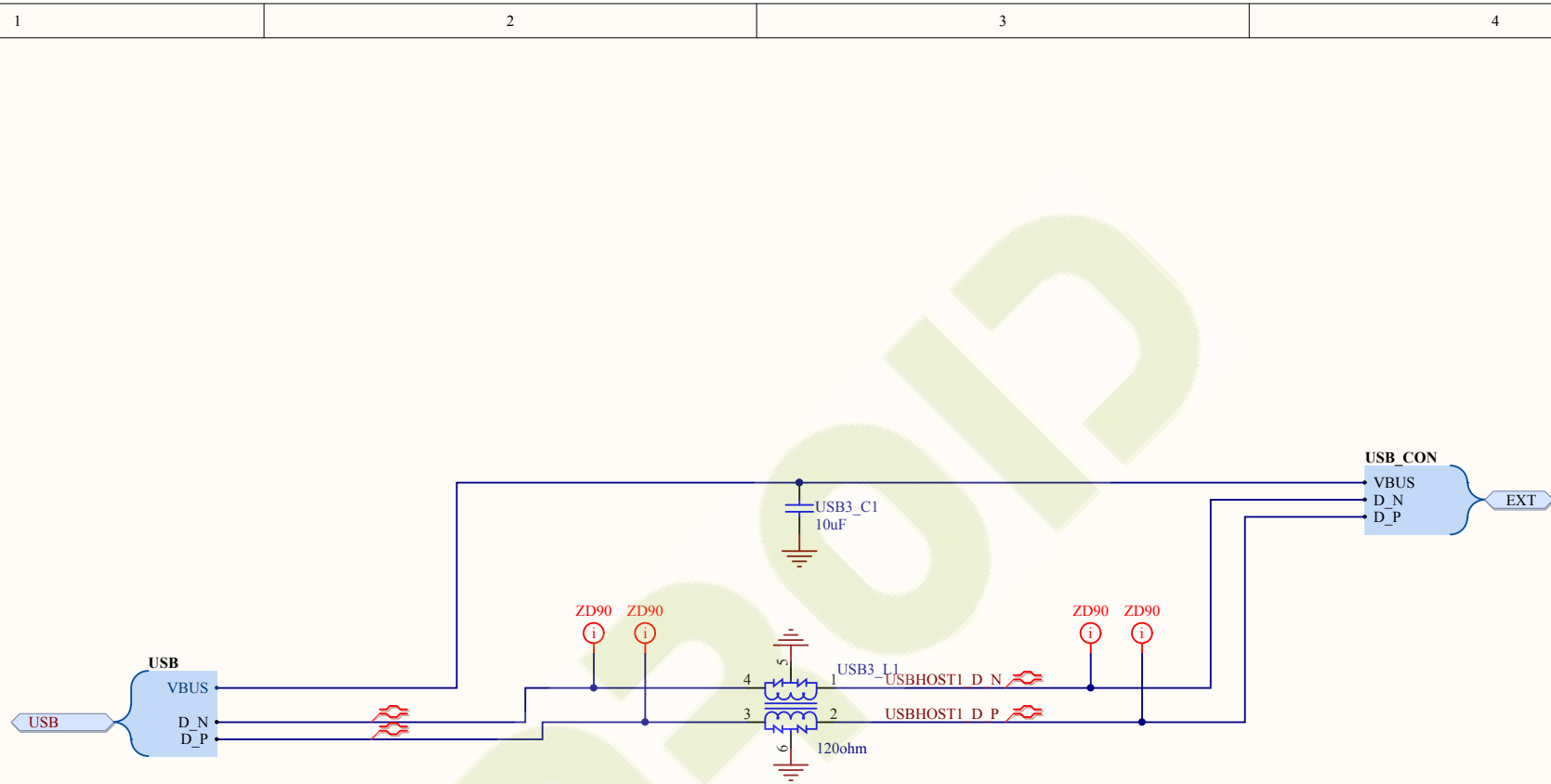
- ~~MH1~~  
MOUNTING HOLE 3MM
- ~~MH2~~  
MOUNTING HOLE 3MM
- ~~MH3~~  
MOUNTING HOLE 3MM
- ~~MH4~~  
MOUNTING HOLE 3MM

### Heat Sink



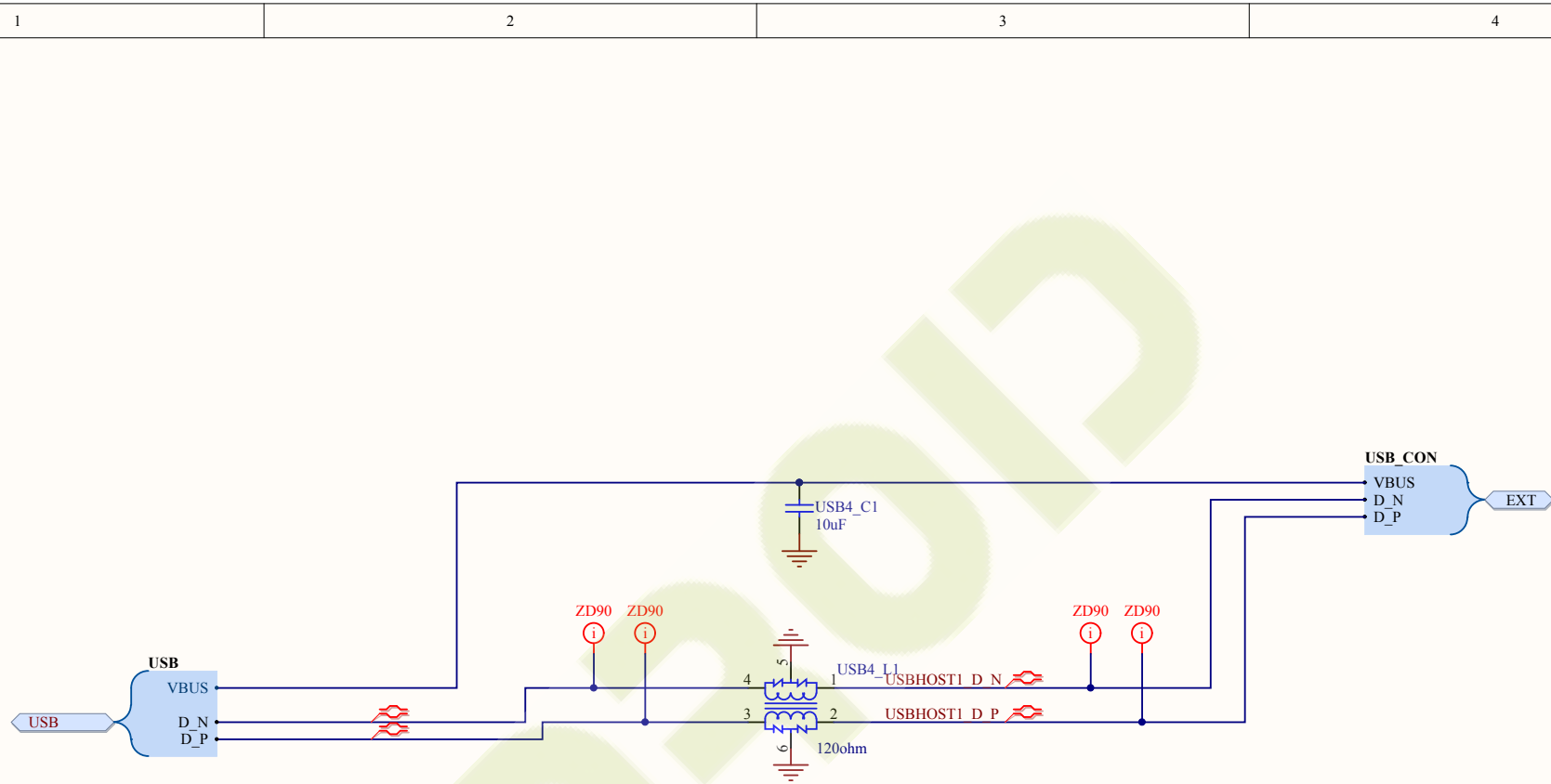
- CLK32KCP
- CLK32KH
- ACOKB



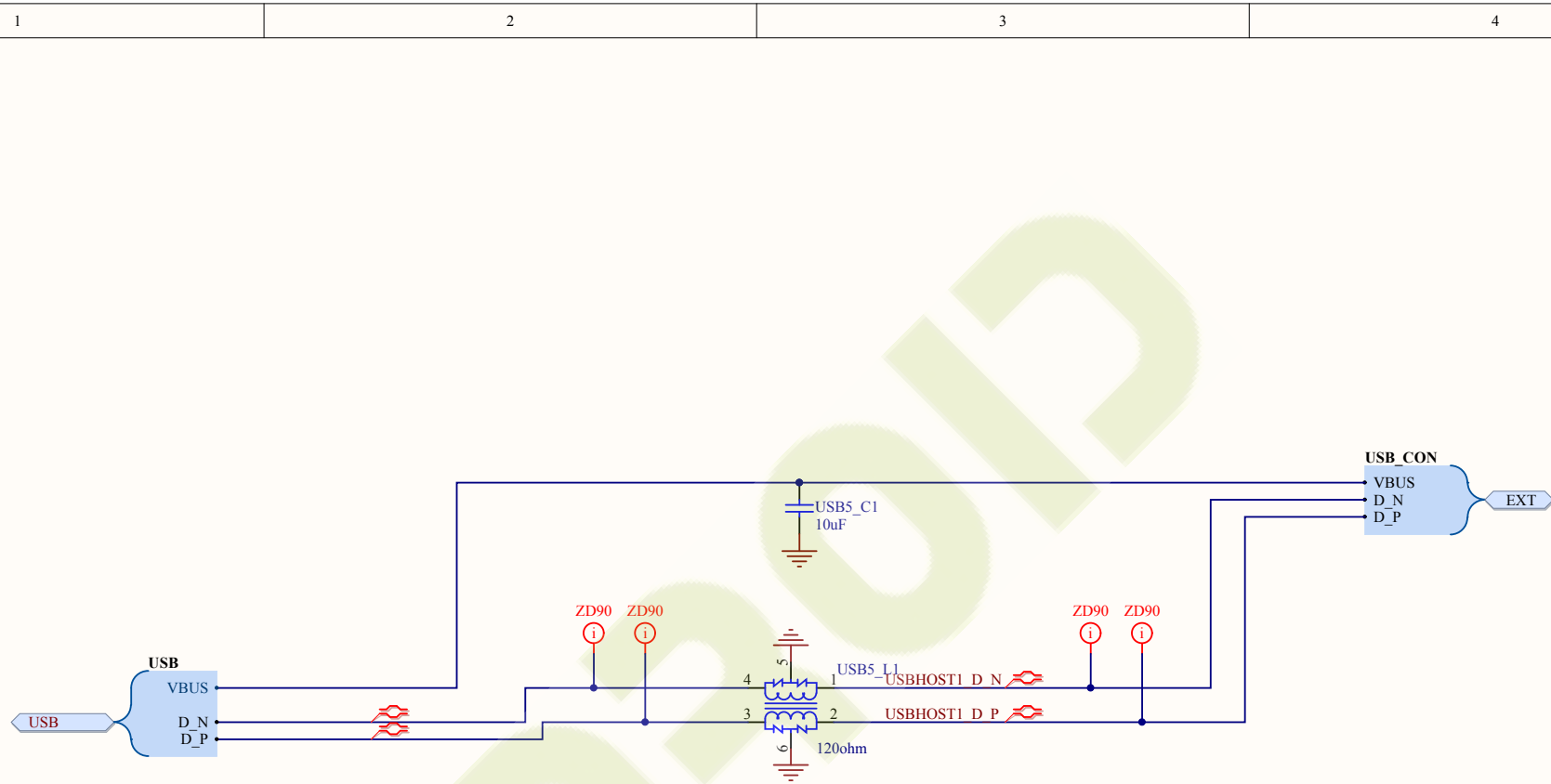


|   |                  |              |   |
|---|------------------|--------------|---|
| Title <b>USB HOST</b>                       |                  |              | Hardkernel Co.,LTD.<br>1-605 Shinan Metrokhan 1115<br>Dalandong, Dongangu, Anyan<br>Gyeonggido<br>South Korea |
| Size: A4                                    | Number:3         | Revision:0.4 |   |
| Date: 2013-05-23                            | Time: 오후 5:39:20 | Sheet3 of 21 |   |
| File: D:\hw\hkl\PC\4PC-BASE\USB HOST.SchDoc |                  |              |   |



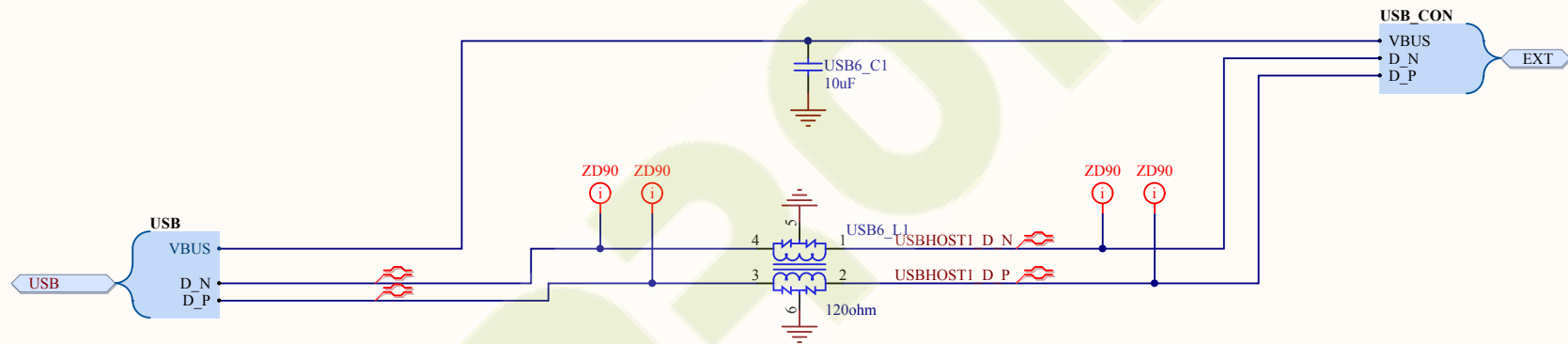


|   |                  |              |   |
|---|------------------|--------------|---|
| Title <b>USB HOST</b>                       |                  |              | Hardkernel Co.,LTD.<br>1-605 Shinan Metrokhan 1115<br>Dalandong, Dongangu, Anyan<br>Gyeonggido<br>South Korea |
| Size: A4                                    | Number:3         | Revision:0.4 | <b>ANDROID</b>  |
| Date: 2013-05-23                            | Time: 오후 5:39:20 | Sheet3 of 21 |   |
| File: D:\hw\hkl\PC\4PC-BASE\USB HOST.SchDoc |                  |              |   |



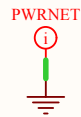
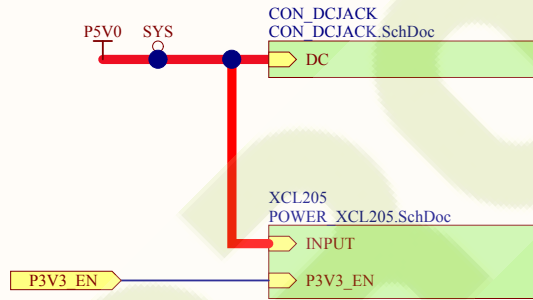
|   |                  |              |   |
|---|------------------|--------------|---|
| Title <b>USB HOST</b>                       |                  |              | Hardkernel Co.,LTD.<br>1-605 Shinan Metrokhan 1115<br>Dalandong, Dongangu, Anyan<br>Gyeonggido<br>South Korea |
| Size: A4                                    | Number:3         | Revision:0.4 |   |
| Date: 2013-05-23                            | Time: 오후 5:39:20 | Sheet3 of 21 |   |
| File: D:\hw\hkl\PC\4PC-BASE\USB HOST.SchDoc |                  |              |   |




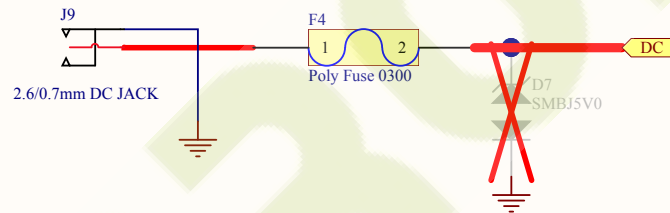



|   |                  |              |                             |
|---|------------------|--------------|-----------------------------|
| Title <b>USB HOST</b>                       |                  |              | Hardkernel Co.,LTD.         |
| Size: A4                                    | Number:3         | Revision:0.4 | 1-605 Shinan Metrokhan 1115 |
| Date: 2013-05-23                            | Time: 오후 5:39:20 | Sheet3 of 21 | Dalandong, Dongangu, Anyan  |
| File: D:\hw\hki\PC\4PC-BASE\USB HOST.SchDoc |                  |              | Gyeonggido                  |
|   |                  |              | South Korea                 |



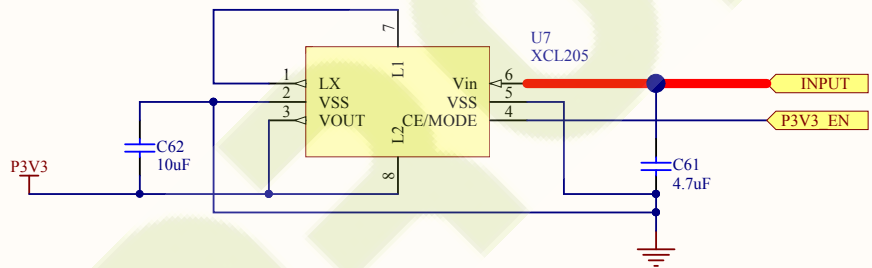



|   |                  |              |   |   |
|---|------------------|--------------|---|---|
| Title <b>POWER</b>                              |                  |              | Hardkernel Co.,LTD.<br>1-605 Shinan Metrokhan 1115<br>Dalandong, Dongangu, Anyan<br>Gyeonggido<br>South Korea |  |
| Size: A4  | Number:4         | Revision:0.4 |   |   |
| Date: 2013-05-23                                | Time: 오후 5:39:20 | Sheet4 of 21 |   |   |
| File: D:\hw\hkl\PC\4PC-BASE\ODROID-X PSU.SchDoc |                  |              |   |   |

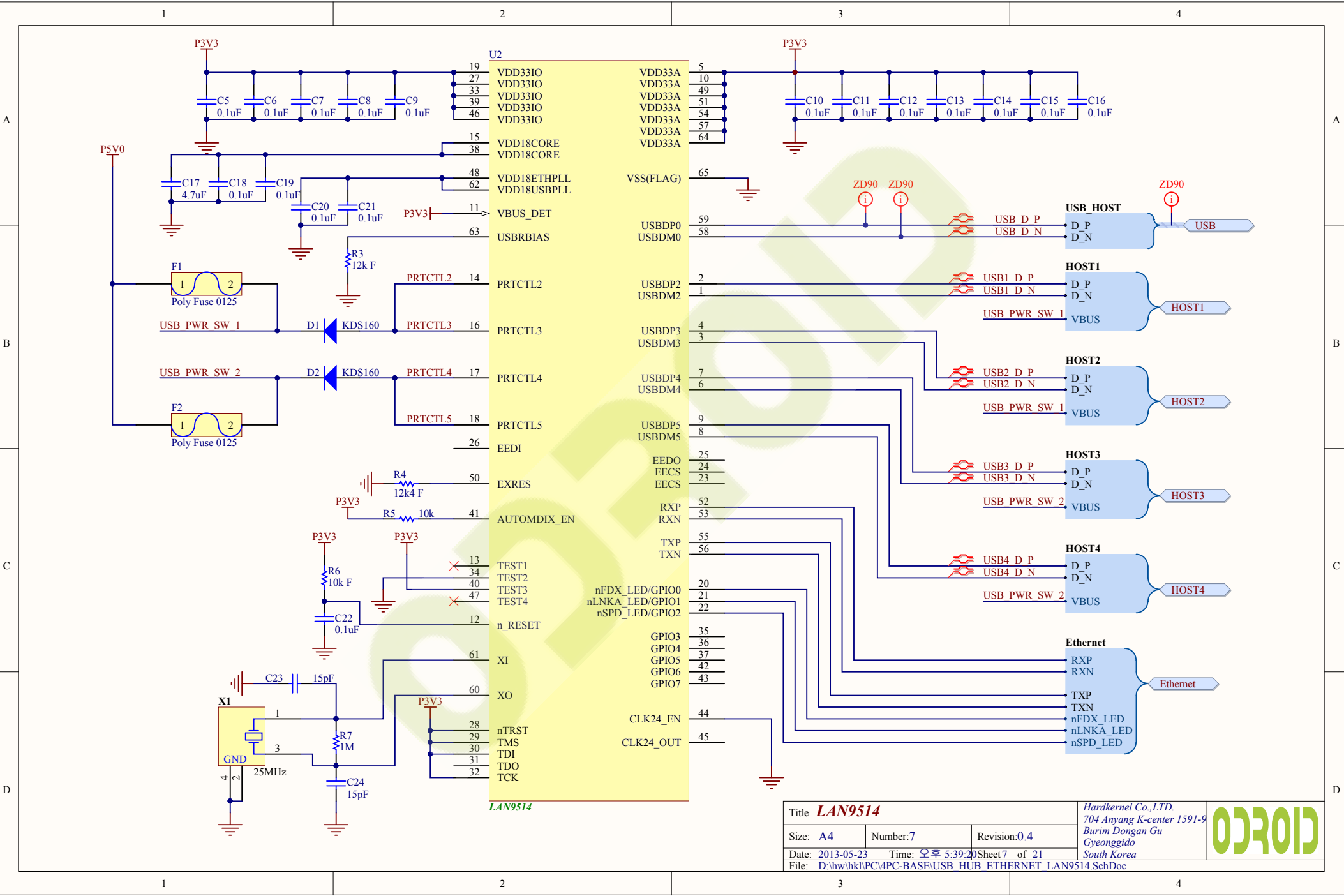


|   |                  |               |   |   |
|---|------------------|---------------|---|---|
| Title <b>DC Jack</b>                          |                  |               | Hardkernel Co.,LTD.<br>704 Anyang K-center 1591-9<br>Burim, Dongangu, Anyang<br>Gyeonggido<br>South Korea |  |
| Size: A4                                      | Number:5         | Revision:0.4  |   |   |
| Date: 2013-05-23                              | Time: 오후 5:39:20 | Sheet 5 of 21 |   |   |
| File: D:\hw\hkl\PC\4PC-BASE\CON DCJACK.SchDoc |                  |               |   |   |



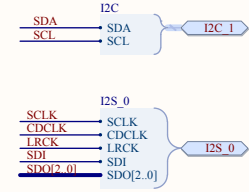
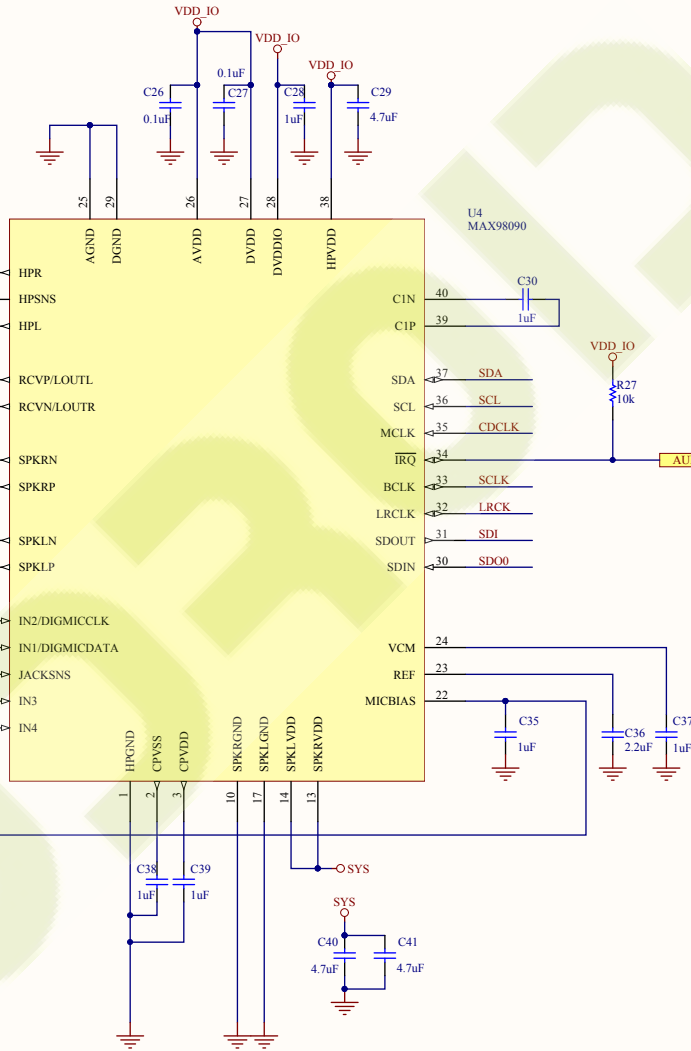
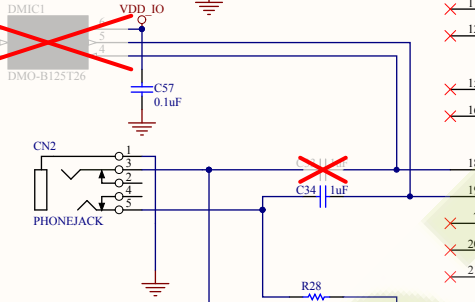
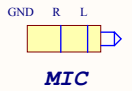
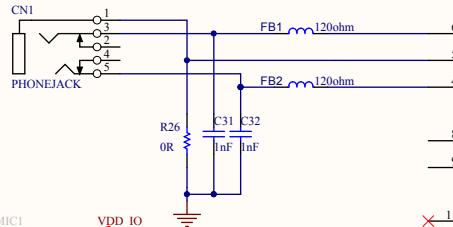
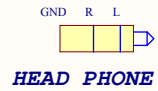


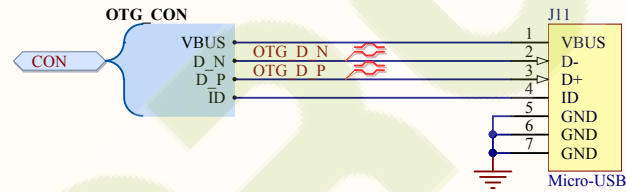
|   |                  |              |   |   |
|---|------------------|--------------|---|---|
| Title <b>POWER_XCL205</b>                       |                  |              | Hardkernel Co.,LTD.<br>704 Anyang K-center 1591-9<br>Burim, Dongangu, Anyang<br>Gyeonggido<br>South Korea |  |
| Size: A4  | Number:6         | Revision:0.4 |   |   |
| Date: 2013-05-23                                | Time: 오후 5:39:20 | Sheet6 of 21 |   |   |
| File: D:\hw\hkl\PC\4PC-BASE\POWER_XCL205.SchDoc |                  |              |   |   |




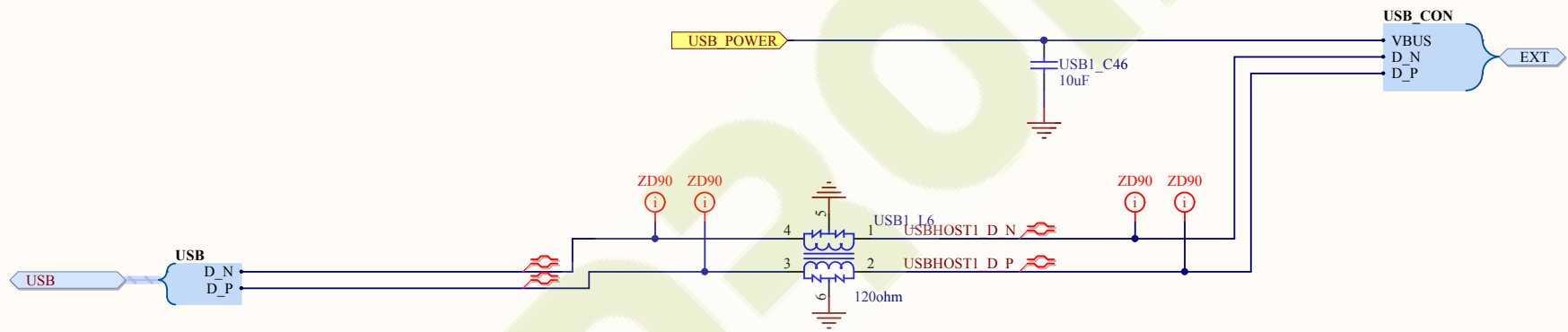
|  |                  |   |  |
|--|------------------|---|--|
| Title <b>LAN9514</b>                                       |                  | Hardkernel Co.,LTD.<br>704 Anyang K-center 1591-9<br>Burim Dongan Gu<br>Gyeongdo<br>South Korea |  |
| Size: A4   | Number:7         | Revision:0.4  |  |
| Date: 2013-05-23   | Time: 오후 5:39:20 | Sheet 7 of 21   |  |
| File: D:\hw\hkl\PC4PC-BASE\USB HUB ETHERNET LAN9514.SchDoc |                  |   |  |





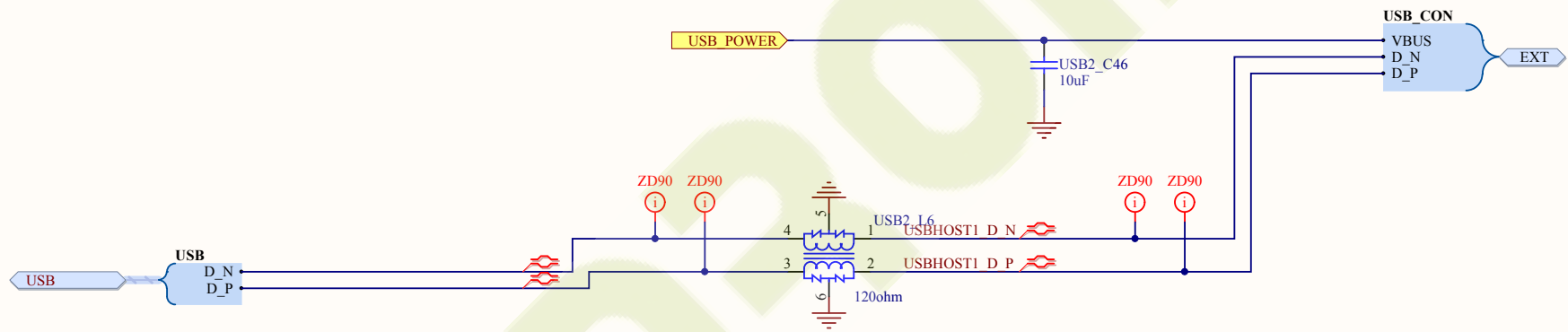


|   |                  |              |   |   |
|---|------------------|--------------|---|---|
| Title <b>Micro USB Connector</b>                |                  |              | Hardkernel Co.,LTD.<br>704 Anyang K-center 1591-9<br>Burim, Dongangu, Anyang<br>Kyeonggido<br>South Korea |  |
| Size: A4  | Number:9         | Revision:0.4 |   |   |
| Date: 2013-05-23                                | Time: 오후 5:39:20 | Sheet9 of 21 |   |   |
| File: D:\hw\hkl\PC\4PC-BASE\CON MICROUSB.SchDoc |                  |              |   |   |

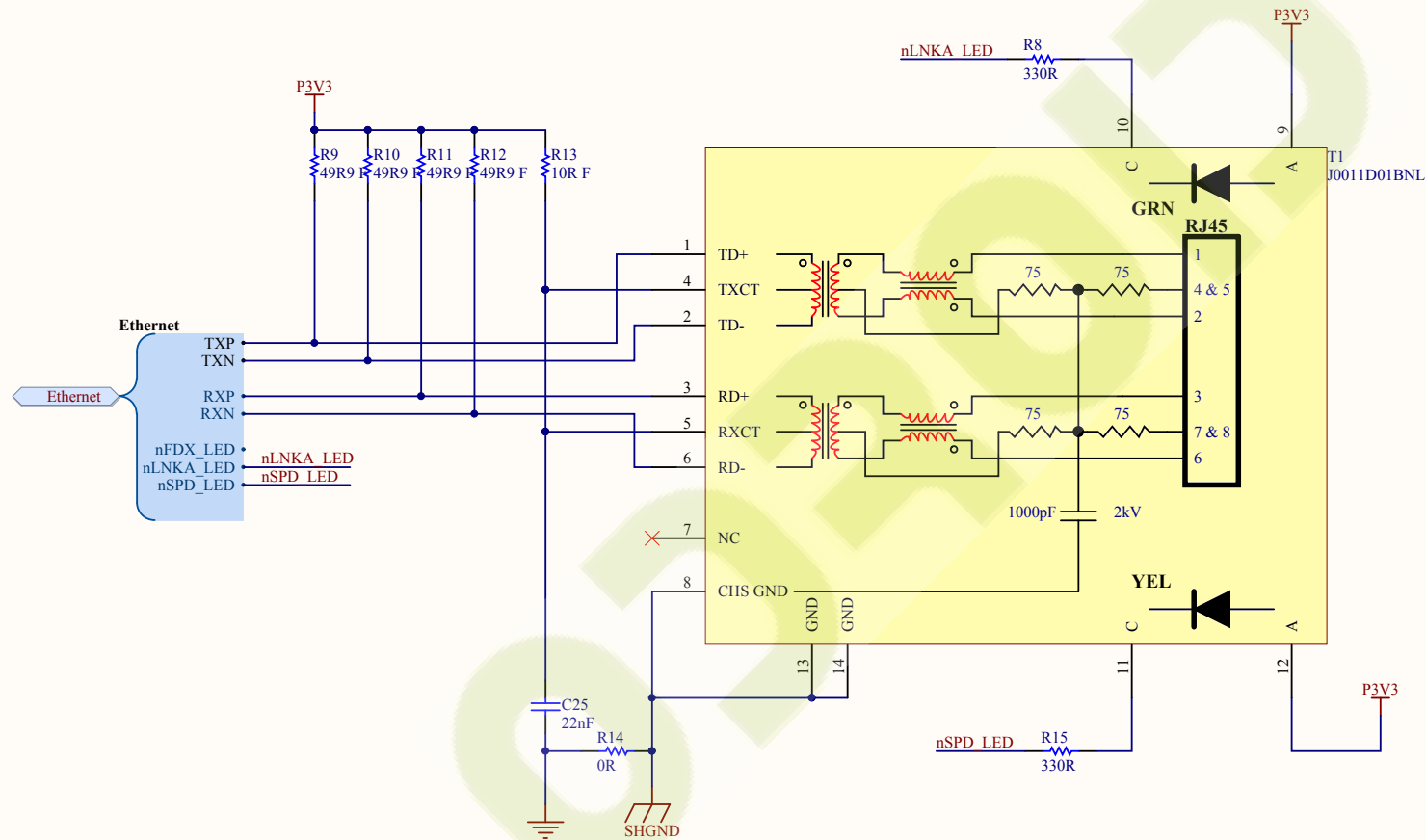


|  |                  |                |                            |
|--|------------------|----------------|----------------------------|
| Title *  |                  |                | Hardkernel Co.,LTD.        |
| Size: A4   | Number:10        | Revision:0.4   | 704 Anyang K-center 1591-9 |
| Date: 2013-05-23                                   | Time: 오후 5:39:20 | Sheet 10 of 21 | Burim, Dongangu, Anyang    |
| File: D:\hw\hki\PC\4PC-BASE\USB HOST PWR SW.SchDoc |                  |                | Gyeongido                  |
|  |                  |                | South Korea                |



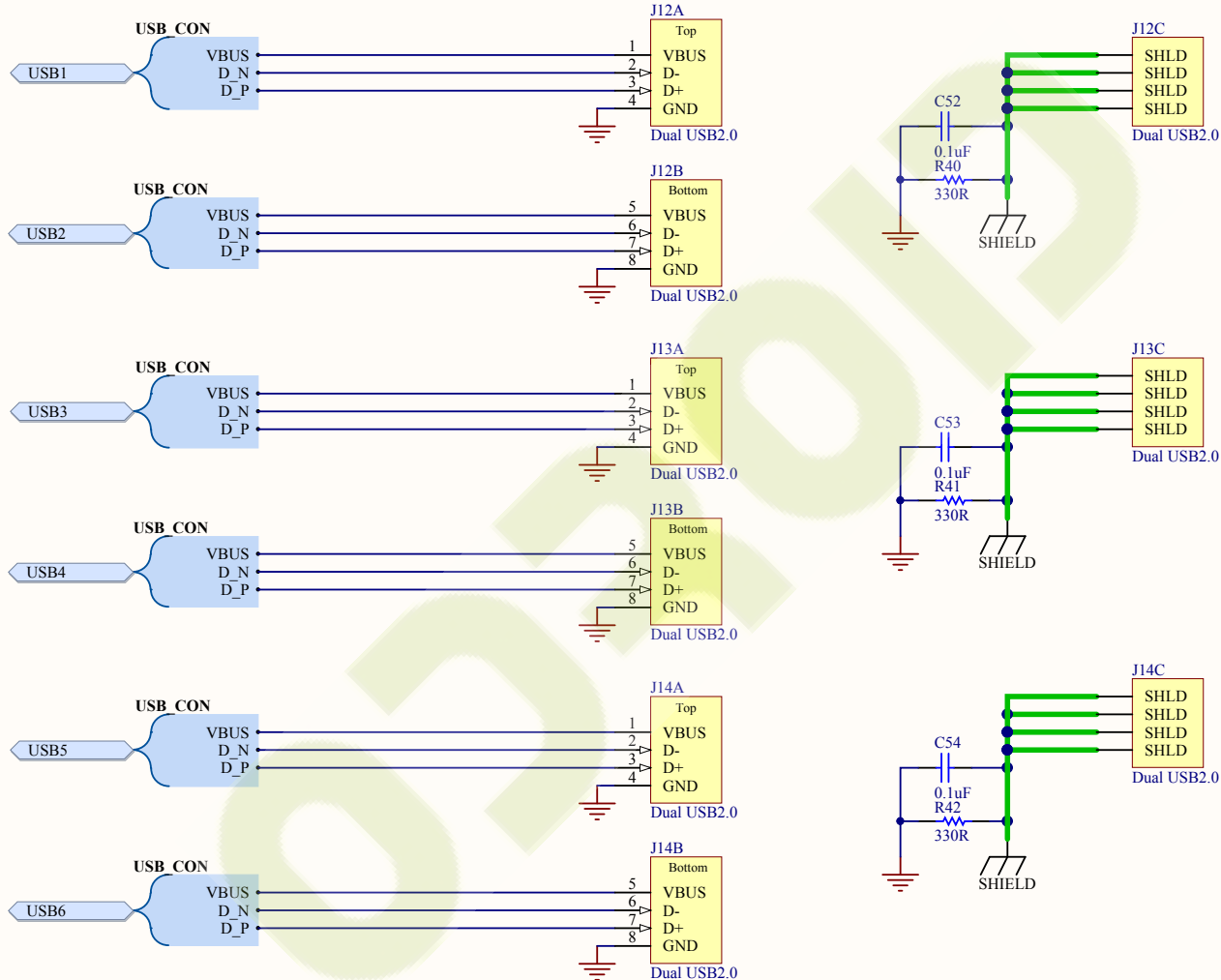


|  |                  |                |   |
|--|------------------|----------------|---|
| Title *  |                  |                | Hardkernel Co.,LTD.<br>704 Anyang K-center 1591-9<br>Burim, Dongangu, Anyang<br>Gyeonggido<br>South Korea |
| Size: A4   | Number:10        | Revision:0.4   | <b>안드로이드</b>  |
| Date: 2013-05-23                                   | Time: 오후 5:39:21 | Sheet 10 of 21 |   |
| File: D:\hw\hki\PC\4PC-BASE\USB HOST PWR SW.SchDoc |                  |                |   |



|   |                  |   |  |
|---|------------------|---|--|
| Title <b>Ethernet</b>                           |                  | Hardkernel Co.,LTD.<br>704 Anyang K-center 1591-9<br>Burim, Dongangu, Anyang<br>Gyeonggido<br>South Korea |  |
| Size: A4  | Number:11        | Revision:0.4  |  |
| Date: 2013-05-23                                | Time: 오후 5:39:21 | Sheet 11 of 21  |  |
| File: D:\hw\hki\PC\4PC-BASE\CON ETHERNET.SchDoc |                  |   |  |

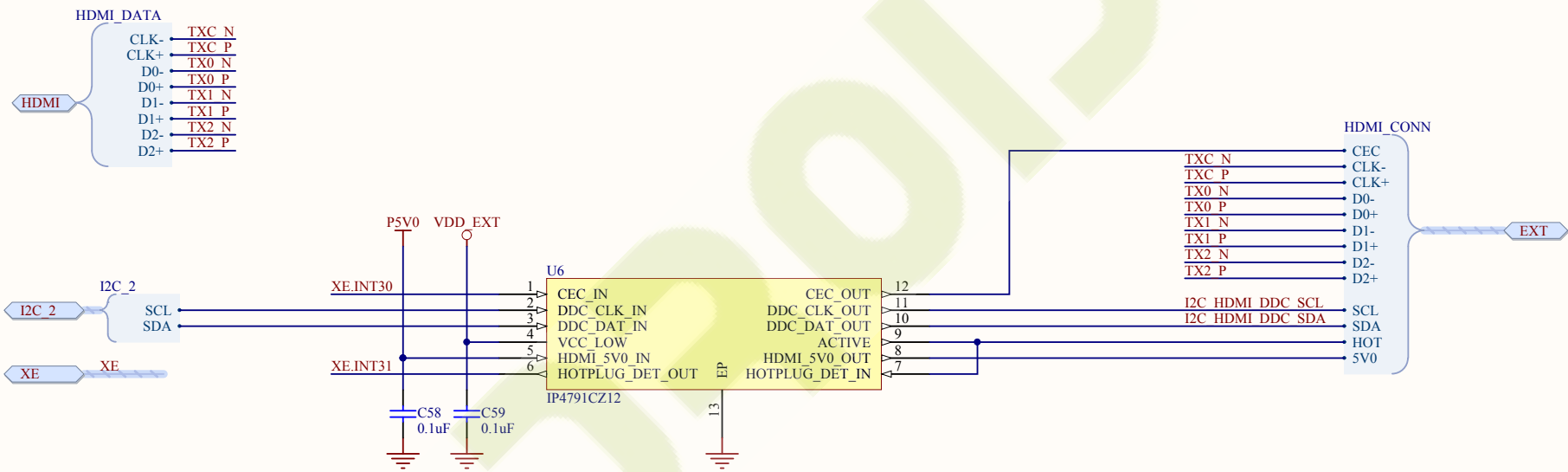




|   |                  |                     |                             |
|---|------------------|---------------------|-----------------------------|
| Title <b>USB 2.0 Type A Connector</b>         |                  | Hardkernel Co.,LTD. |                             |
| Size: A4                                      | Number:12        | Revision:0.4        | 1-605 Shinan Metrokhan 1115 |
| Date: 2013-05-23                              | Time: 오후 5:39:21 | Sheet 12 of 21      | Dalandong, Dongangu, Anyan  |
| File: D:\hw\hkl\PC\4PC-BASE\CON USB RA.SchDoc |                  | Gyeongido           |                             |
|   |                  | South Korea         |                             |

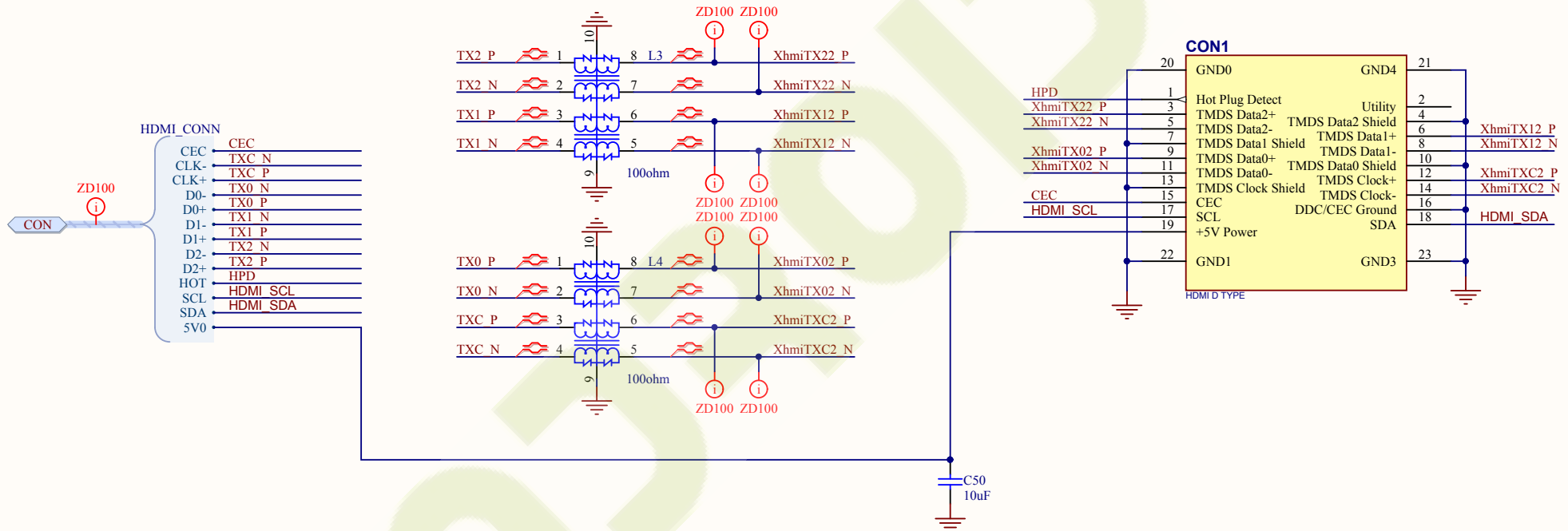






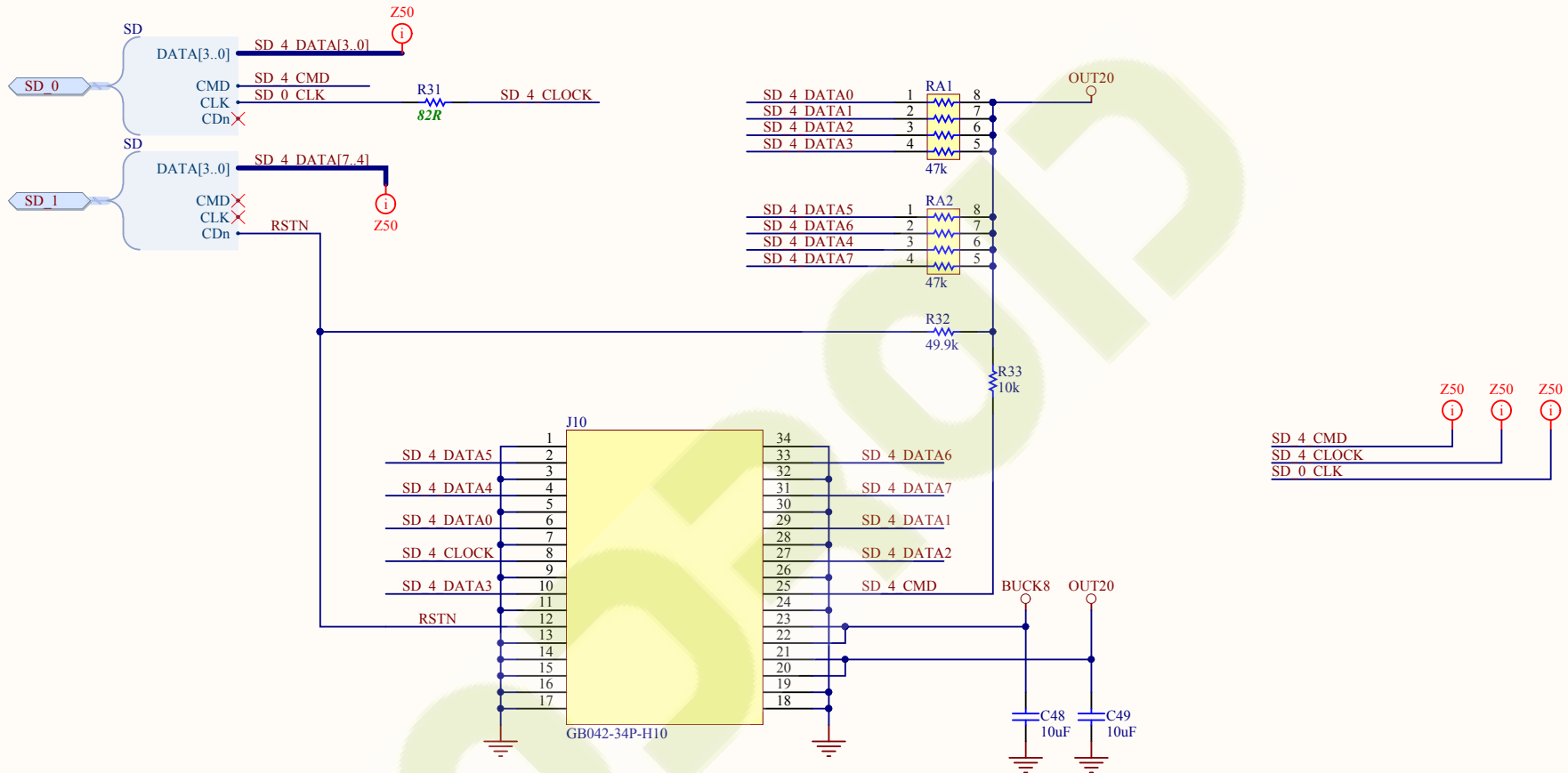
|   |                  |                |   |
|---|------------------|----------------|---|
| Title <b>HDMI 2C</b>                        |                  |                | Hardkernel Co.,LTD.<br>704 Anyang K-center 1591-9<br>Burim, Dongangu, Anyang<br>Kyeonggido<br>South Korea |
| Size: A4                                    | Number: 13       | Revision: 0.4  |   |
| Date: 2013-05-23                            | Time: 오후 5:39:21 | Sheet 13 of 21 |   |
| File: D:\hw\hkl\PC\4PC-BASE\HDMI I2C.SchDoc |                  |                |   |




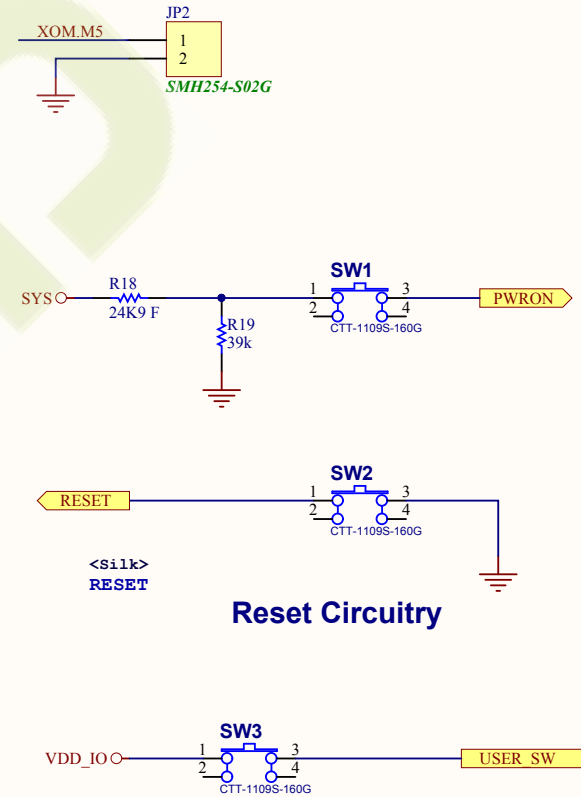
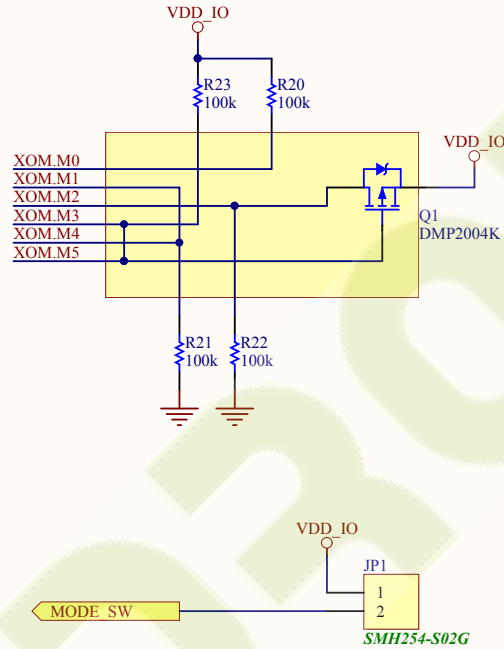
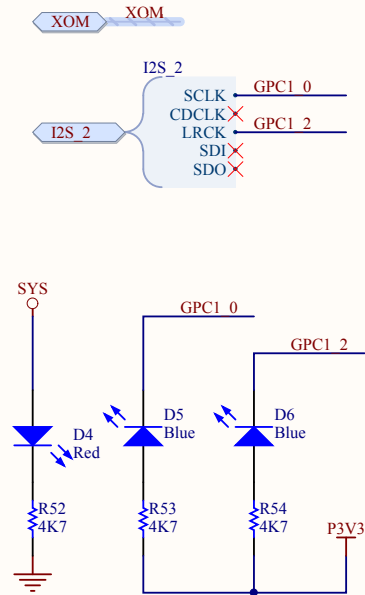



|   |                  |   |  |
|---|------------------|---|--|
| Title <b>Micro HDMI Connector</b>           |                  | Hardkernel Co.,LTD.<br>704 Anyang K-center 1591-9<br>Burim, Dongangu, Anyang<br>Kyeonggido<br>South Korea |  |
| Size: A4                                    | Number:14        | Revision:0.4  |  |
| Date: 2013-05-23                            | Time: 오후 5:39:21 | Sheet 14 of 21  |  |
| File: D:\hw\hkl\PC\4PC-BASE\CON HDMI.SchDoc |                  |   |  |

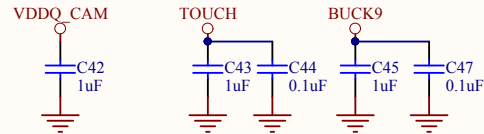
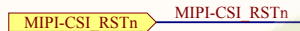
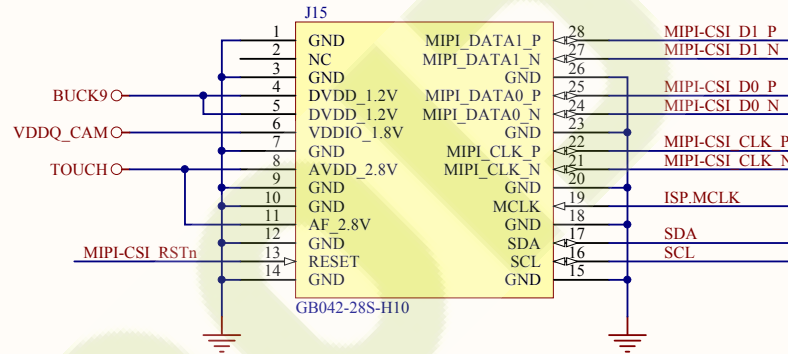
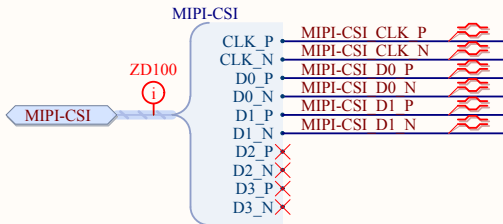




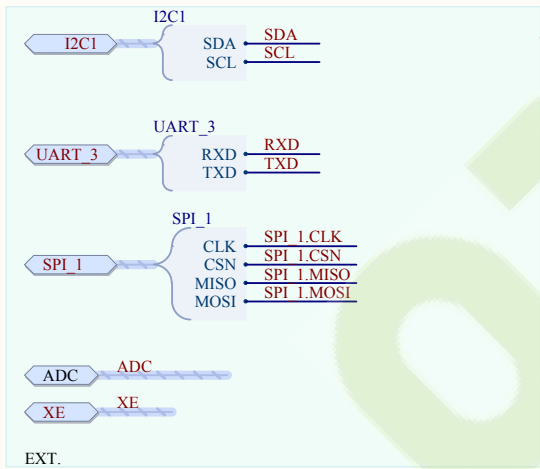
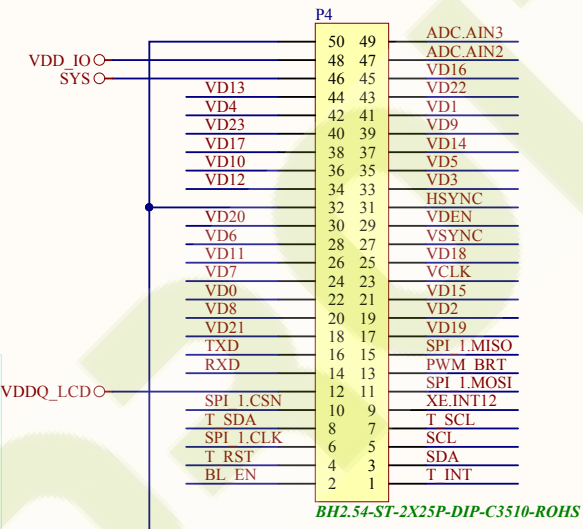
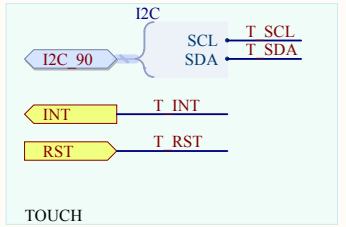
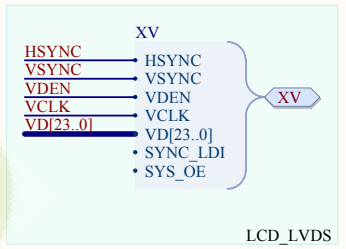
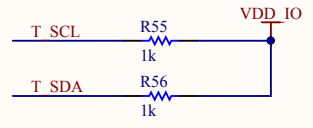
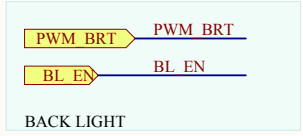
|   |                  |                |   |   |
|---|------------------|----------------|---|---|
| Title <b>CON_EMMC</b>                       |                  |                | Hardkernel Co.,LTD.<br>704 Anyang K-center 1591-9<br>Burim Dongan Gu<br>Gyeonggido<br>South Korea |  |
| Size: A4                                    | Number:15        | Revision:0.4   |   |   |
| Date: 2013-05-23                            | Time: 오후 5:39:21 | Sheet 15 of 21 |   |   |
| File: D:\hw\hkl\PC\4PC-BASE\CON_EMMC.SchDoc |                  |                |   |   |

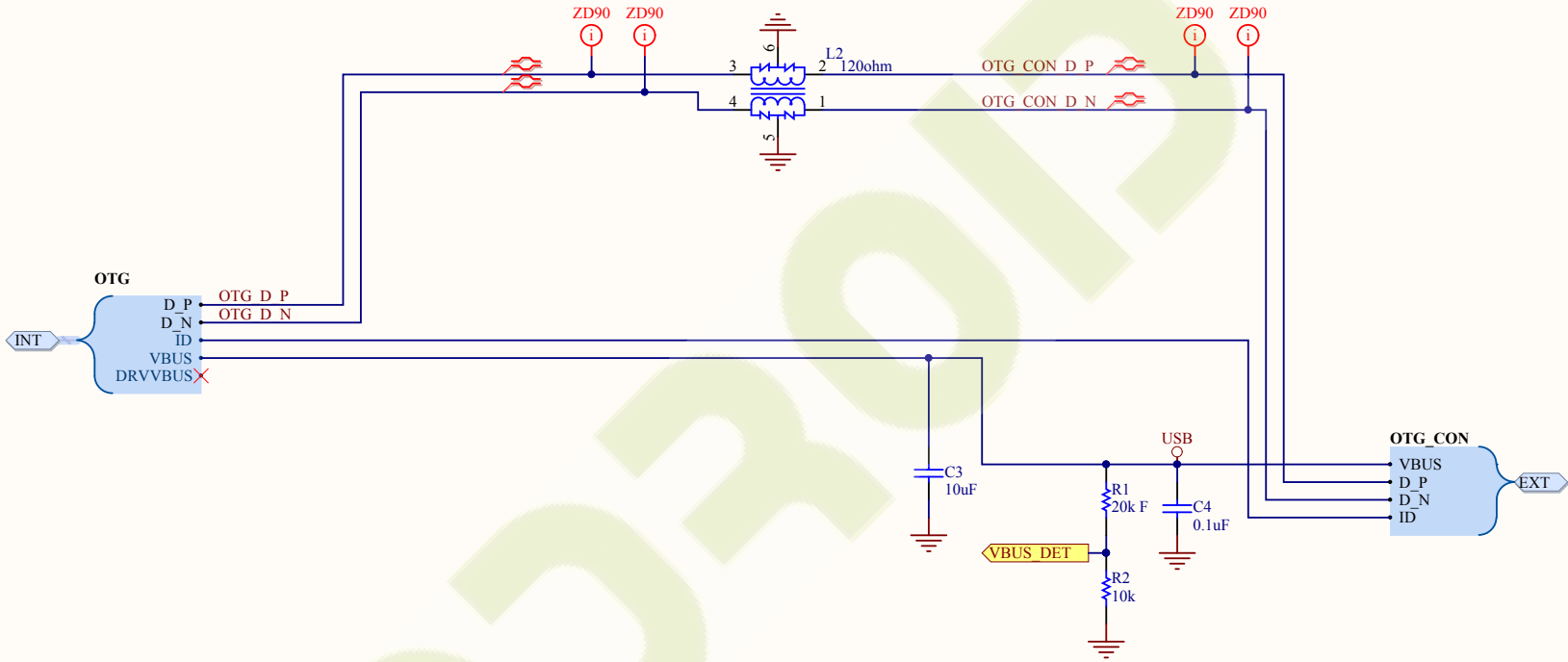



|   |                  |                |   |   |
|---|------------------|----------------|---|---|
| Title <b>Keys, Boot MODE</b>              |                  |                | Hardkernel Co.,LTD.<br>704 Anyang K-center 1591-9<br>Burim Dongan Gu<br>Gyeongdo<br>South Korea |  |
| Size: A4                                  | Number:16        | Revision:0.4   |   |   |
| Date: 2013-05-23                          | Time: 오후 5:39:21 | Sheet 16 of 21 |   |   |
| File: D:\hw\hkl\PC\4PC-BASE\X_KEYS.SchDoc |                  |                |   |   |

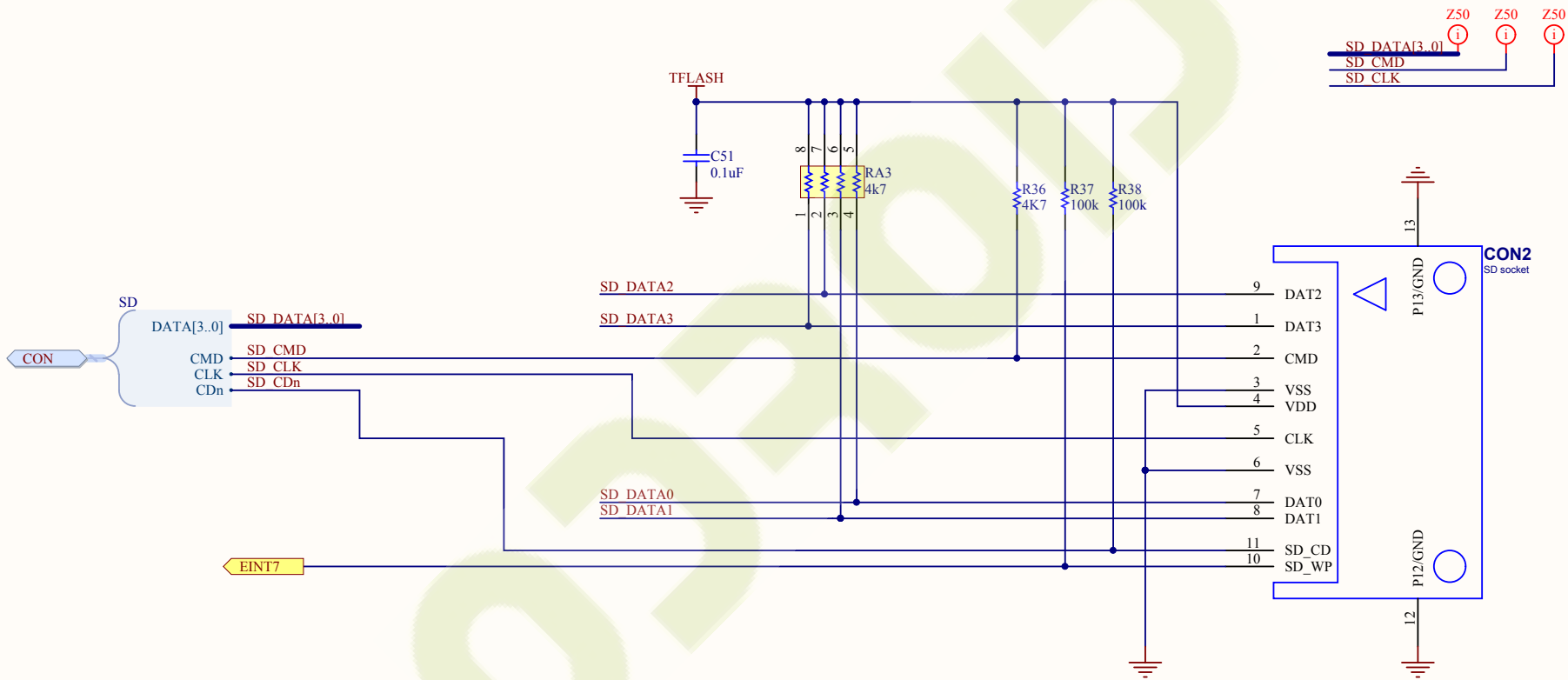


|  |                  |                |   |
|--|------------------|----------------|---|
| Title <b>Con - Camera</b>                    |                  |                | Hardkernel Co.,LTD.<br>704 Anyang K-Center,<br>Gwanyang, Dongan, Anyang,<br>Gyeonggido<br>South Korea |
| Size: A4                                     | Number:17        | Revision:0.4   |   |
| Date: 2013-05-23                             | Time: 오후 5:39:21 | Sheet 17 of 21 | Cannot open file<br>C:\Users\ydongyo\Do<br>wnloads\Odroid-A_Lo  |
| File: D:\hw\hkl\PC4PC-BASE\CON CAMERA.SchDoc |                  |                |   |





|  |                  |                |   |
|--|------------------|----------------|---|
| Title <b>USB OTG</b>                       |                  |                | Hardkernel Co.,LTD.<br>1-605 Shinan Metrokhan 1115<br>Dalandong, Dongangu, Anyan<br>Gyeonggido<br>South Korea |
| Size: A4                                   | Number: 19       | Revision: 0.4  |   |
| Date: 2013-05-23                           | Time: 오후 5:39:21 | Sheet 19 of 21 |                          |
| File: D:\hw\hkl\PC\4PC-BASE\USB_OTG.SchDoc |                  |                |   |




|  |                  |   |  |
|--|------------------|---|--|
| Title <b>CON_SD</b>  |                  | Hardkernel Co.,LTD.<br>704 Anyang K-center 1591-9<br>Burim, Dongangu, Anyang<br>Gyeonggido<br>South Korea |  |
| Size: A4   | Number:20        | Revision:0.4  |  |
| Date: 2013-05-23   | Time: 오후 5:39:21 | Sheet20 of 21   |  |
| File: D:\hw\hkl\PC\4PC-BASE\CON_SD_WALTA-F03-0647-00001.SchDoc |                  |   |  |







|   |                  |               |   |   |
|---|------------------|---------------|---|---|
| Title <b>CON_UART</b>                       |                  |               | Hardkernel Co.,LTD.<br>704 Anyang K-center 1591-9<br>Burim, Dongangu, Anyang<br>Gyeonggido<br>South Korea |  |
| Size: A4                                    | Number:21        | Revision:0.4  |   |   |
| Date: 2013-05-23                            | Time: 오후 5:39:21 | Sheet21 of 21 |   |   |
| File: D:\hw\hkl\PC\4PC-BASE\CON_UART.SchDoc |                  |               |   |   |