

CON_HDMI
CON_HDMI.SchDoc

HDMI
DDC
HPD

HDMI2LVDS
HDMI2LVDS.SchDoc

HDMI
DDC
HPD
LED_A
LED_C

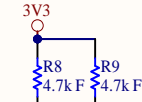
I2C
I2S
RST
LCD_RESET
LCD_STBYB

I2C
SDA
SCL

PB7
PB6

CODEC
CODEC_TAS5805M.SchDoc

I2C
I2S
PWR_EN



BACKLIGHT
BACKLIGHT_LP8865.SchDoc

LED_CATHODE
LED_ANODE

LCD_PWM

PA1

ttyACM
CON_TYPECUSB.SchDoc

USB

CH32
CH32V203G6U6.SchDoc

USB
PD

PA
PB

PA
PB

DCJACK
CON_DCJACK.SchDoc

DC

DC_JACK

POWER
POWER.SchDoc

DC

TOUCH
CON_TOUCH.SchDoc

TOUCH_PWR_EN
USB


PB0

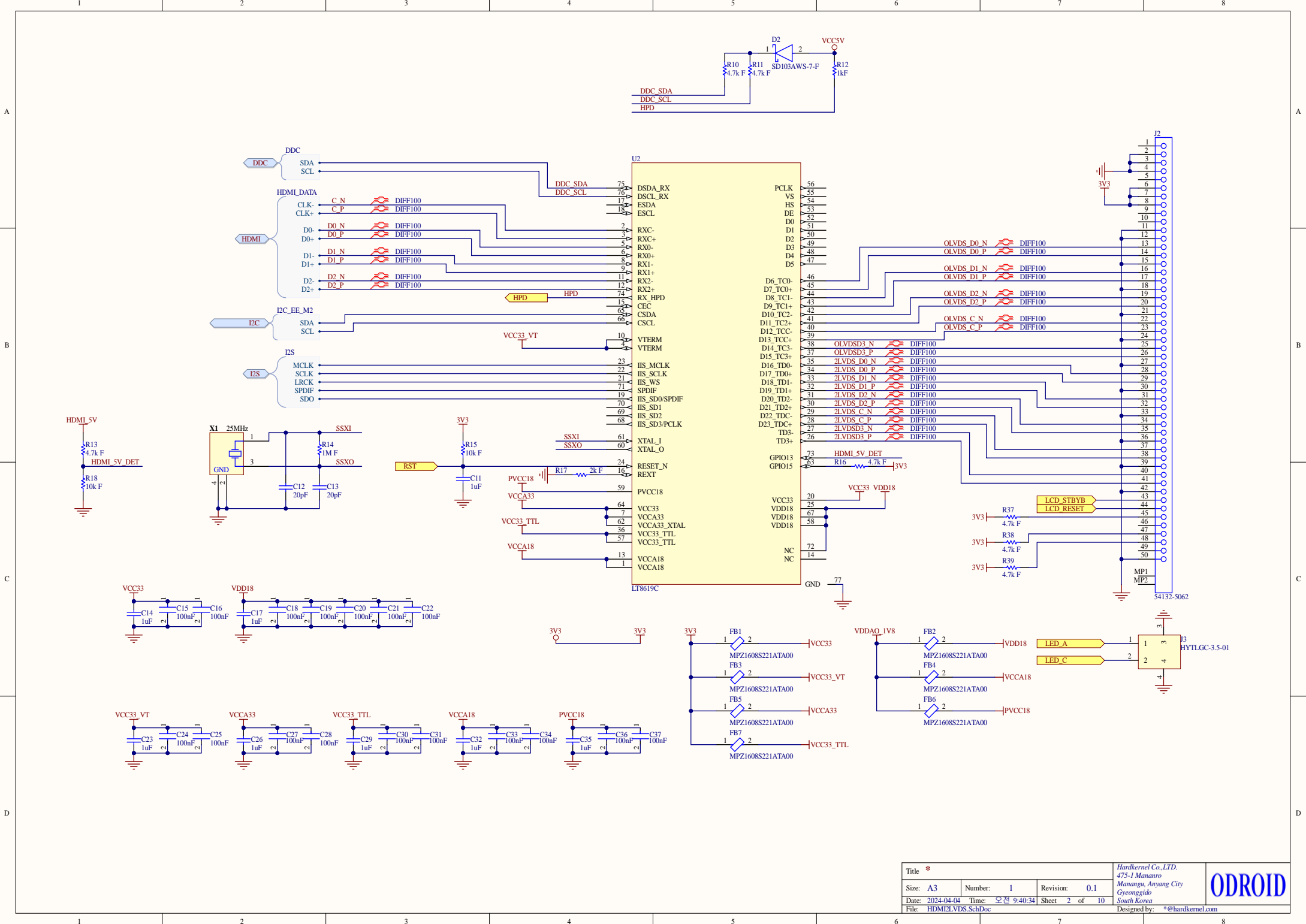
TYPEC USB
CON_TYPECUSB.SchDoc

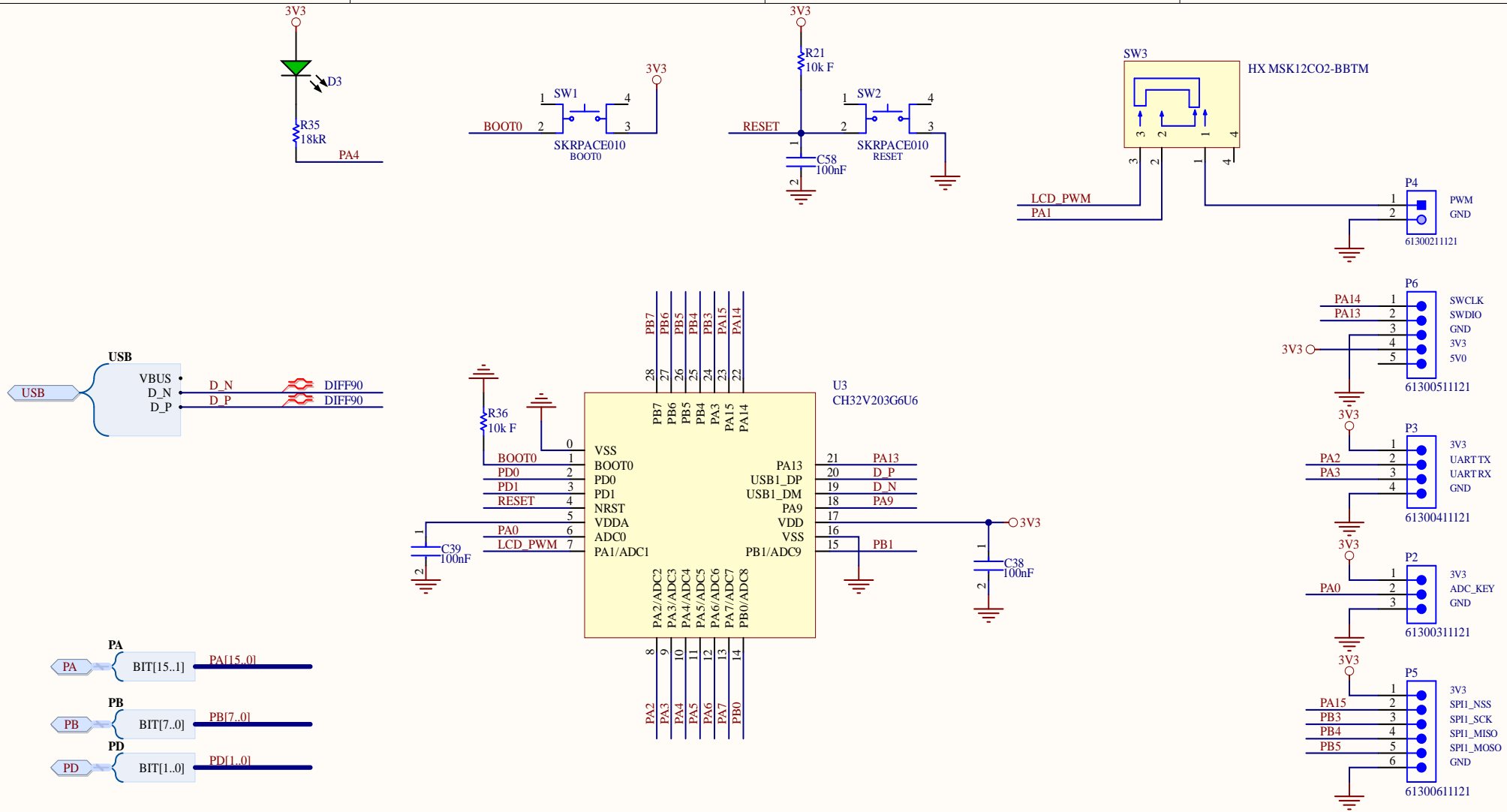
USB

Mounting Holes



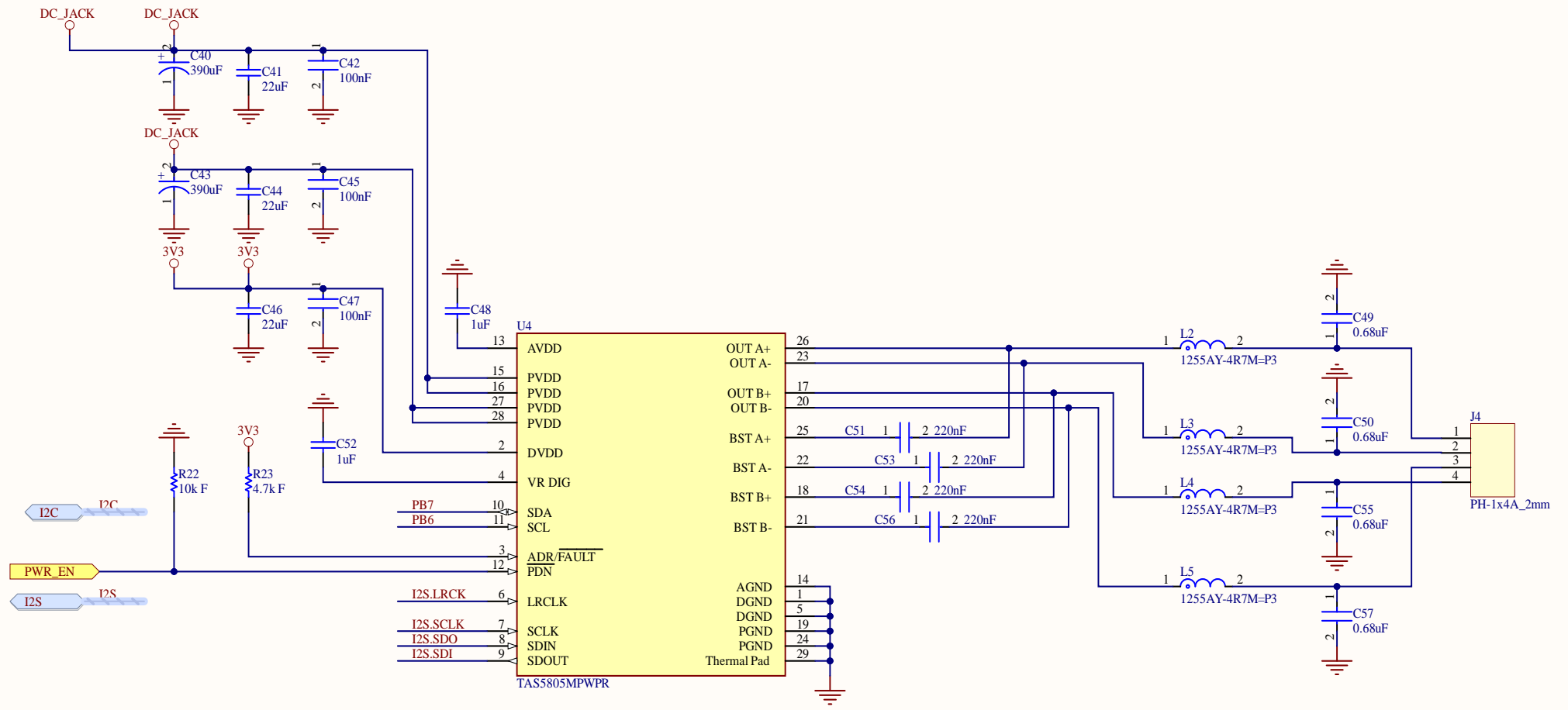
Title VU12			Hardkernel Co.,LTD. 475-1 Mananro Manangu, Anyang City Gyeongido South Korea	
Size: A4	Number: 1	Revision: 0.1		
Date: 2024-04-04	Time: 오전 9:40:33	Sheet 1 of 10		
File: VU12.SchDoc				
Designed by: ruppi.kim@hardkernel.com				



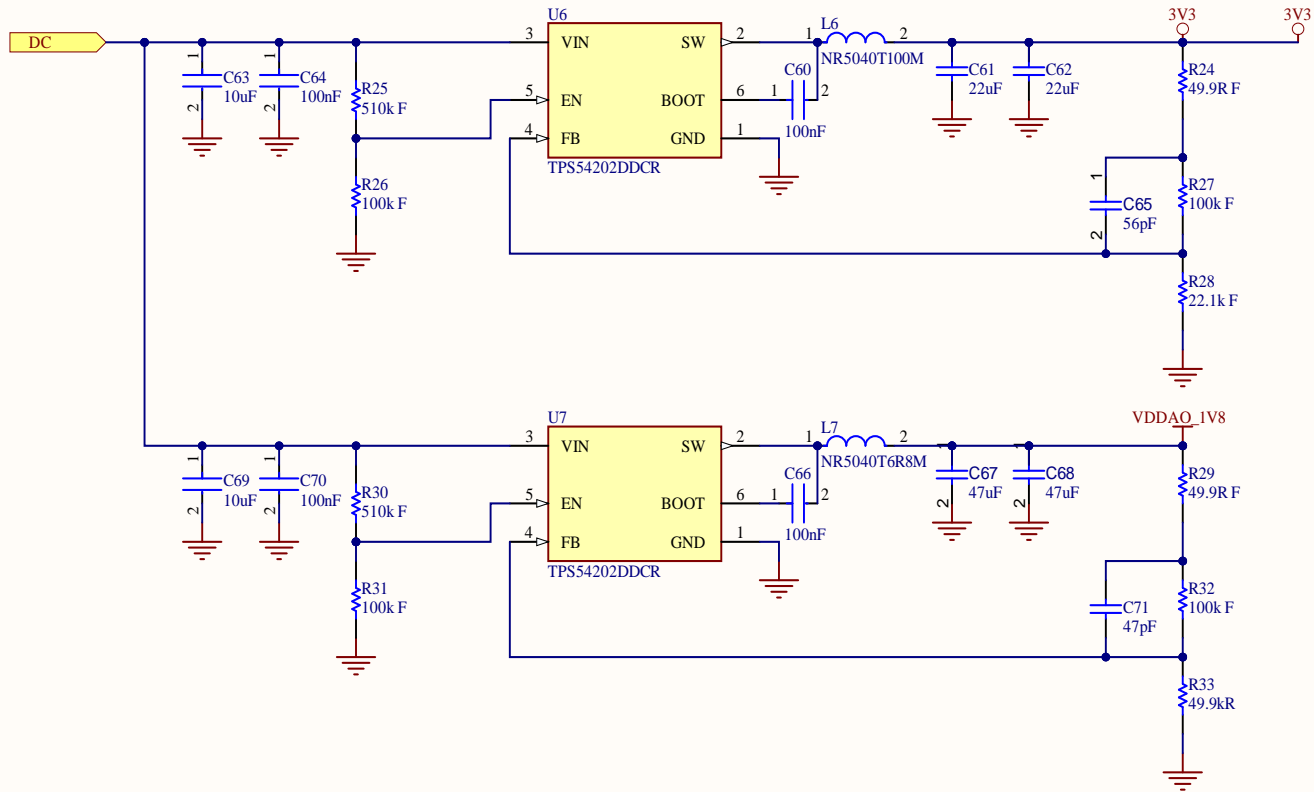


Title CH32V203G6U6			Hardkernel Co.,LTD. 475-1 Mananro Manangu, Anyang City Gyeonggido South Korea	
Size: A4	Number: 1	Revision: 0.1	Designed by: ruppi.kim@hardkernel.com	
Date: 2024-04-04	Time: 오전 9:40:34	Sheet 3 of 10		
File: CH32V203G6U6.SchDoc				

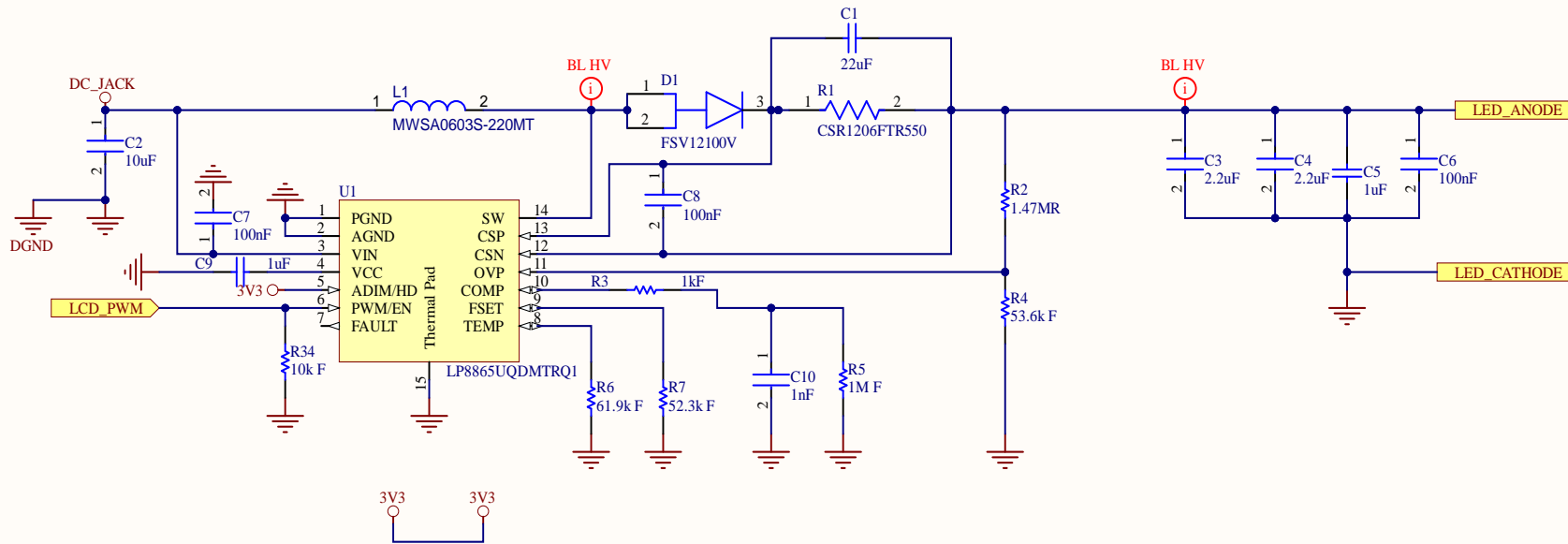




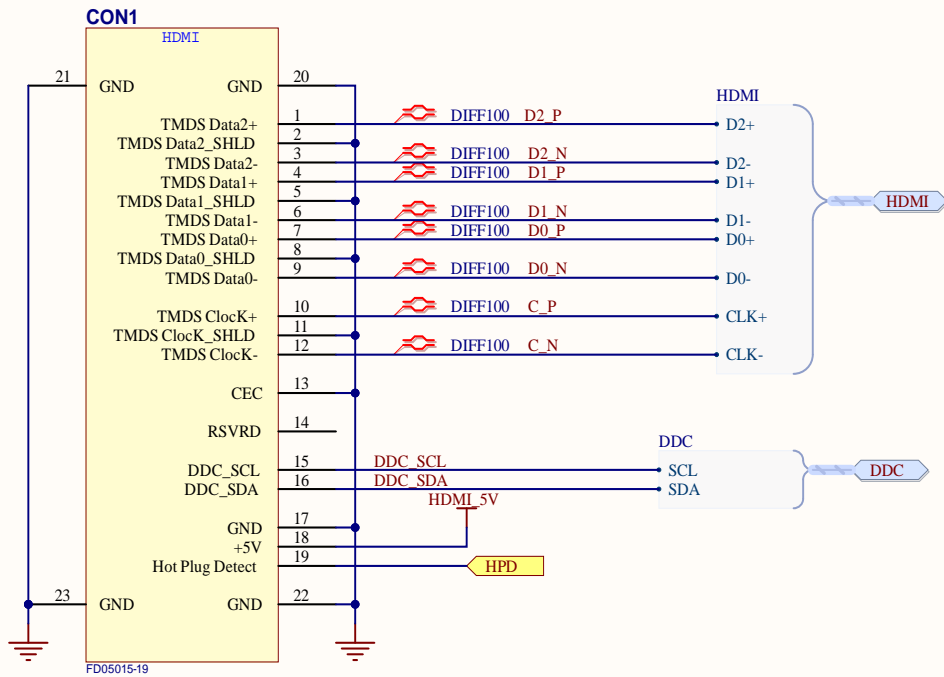
Title CODEC TAS5805M			Hardkernel Co.,LTD. 475-1 Mananro Manangu, Anyang City Gyeonggido South Korea	ODROID
Size: A4	Number: 1	Revision: 0.1		
Date: 2024-04-04	Time: 2024 9:40:35	Sheet 4 of 10	Designed by: *@hardkernel.com	
File: CODEC_TAS5805M.SchDoc				



Title POWER			Hardkernel Co.,LTD. 475-1 Mananro Manangu, Anyang City Gyeongido South Korea		ODROID
Size: A4	Number: 1	Revision: 0.1			
Date: 2024-04-04	Time: 오전 9:40:35	Sheet 5 of 10			
File: POWER.SchDoc			Designed by: *@hardkernel.com		



Title Backlight Driver		Hardkernel Co.,LTD. 475-1 Mananro Manangu, Anyang City Gyeongido South Korea		ODROID
Size: A4	Number: 23	Revision:		
Date: 2024-04-04	Time: 오전 9:40:36	Sheet 6 of 10		
File: BACKLIGHT_LP8865.SchDoc		Designed by: neal.kim@hardkernel.com		



FD05015-19

Title CON_HDMI		
Size: A4	Number: *	Revision:
Date: 2024-04-04	Time: 오전 9:40:37	Sheet 7 of 10
File: CON_HDMI.SchDoc		Designed by:



1

2

3

4

A

A

B

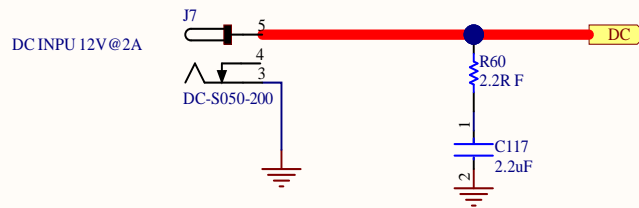
B

C

C

D

D



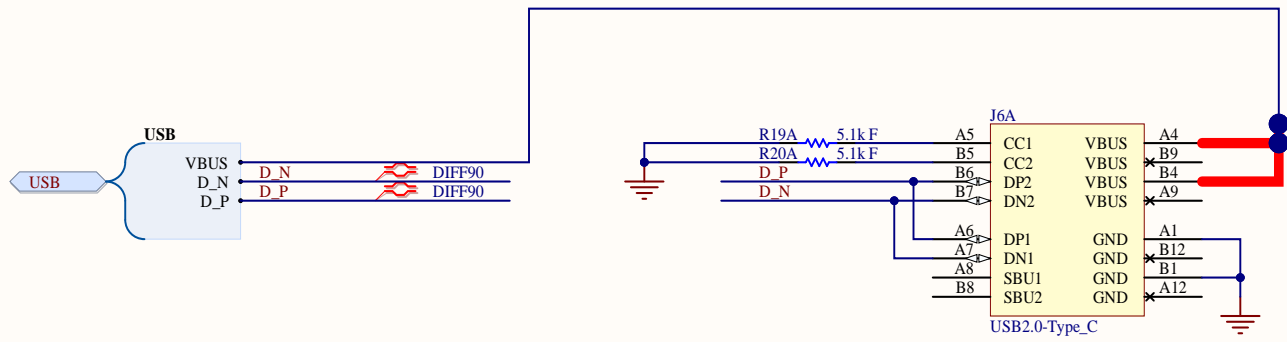
Title DC Jack			Hardkernel Co.,LTD. 475-1 Mananro Manangu, Anyang City Gyeongido South Korea		ODROID
Size: A4	Number: 28	Revision: 0.1			
Date: 2024-04-04	Time: 오전 9:40:37	Sheet 8 of 10			
File: CON_DCJACK.SchDoc			Designed by: ruppi kim@hardkernel.com		

1

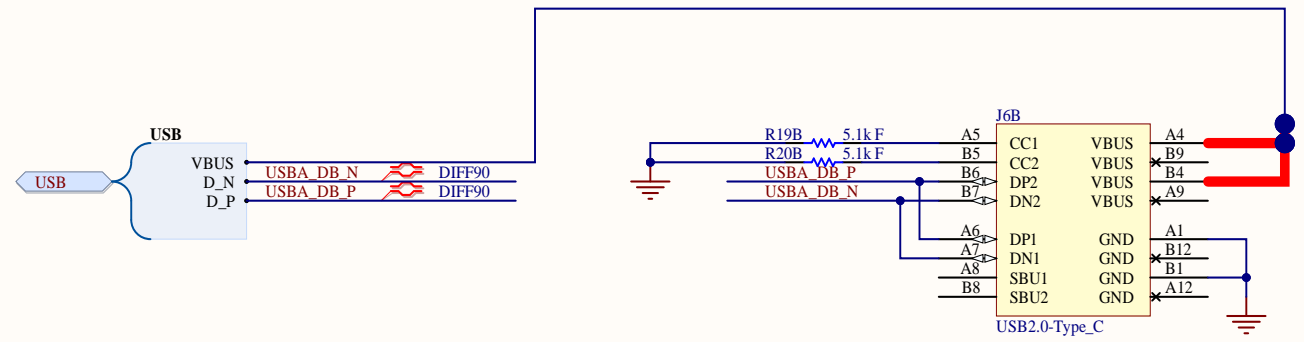
2

3

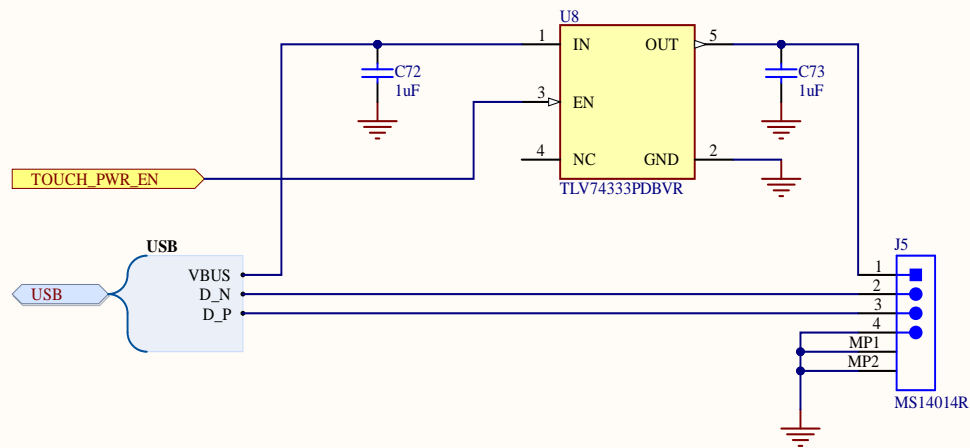
4



Title CON TYPECUSB			Hardkernel Co.,LTD. 475-1 Mananro Manangu, Anyang City Gyeongido South Korea		ODROID
Size: A4	Number: 24	Revision:			
Date: 2024-04-04	Time: 오전 9:40:38	Sheet 9 of 10			
File: CON_TYPECUSB.SchDoc			Designed by: neal.kim@hardkernel.com		



Title CON TYPECUSB			Hardkernel Co.,LTD. 475-1 Mananro Manangu, Anyang City Gyeongido South Korea	ODROID
Size: A4	Number: 24	Revision:		
Date: 2024-04-04	Time: 오전 9:40:38	Sheet 9 of 10	Designed by: neal.kim@hardkernel.com	
File: CON_TYPECUSB.SchDoc				



Title *			Hardkernel Co.,LTD. 475-1 Mananro Manangu, Anyang City Gyeongido South Korea		ODROID
Size: A4	Number: 1	Revision: 0.1	Designed by: *@hardkernel.com		
Date: 2024-04-04	Time: 오전 9:40:38	Sheet 10 of 10			
File: CON_TOUCH.SchDoc					